

FSW900

Swing Gate Operator



FAAC

TABLE OF CONTENTS

IMPORTANT SAFETY INFORMATION

Important User Instructions 3
 Restrictions & Warnings 3
 Internal Entrapment Prevention 5
 External Entrapment Prevention 5
 UL325 Gate Operator Classification 6
 Glossary Of Terms 6
 Warning Sign Installation 7
 Installation Precautions 7
 Pre Installation Guidelines 7
 Manual Release 8

TECHNICAL SPECIFICATION

Gate Operator Specifications 9

GATE OPERATOR INSTALLATION

Gate Operator Location 10
 Concrete Pad Size & Location 10
 Gate Operator Bolt Down 11
 Measure & Weld The Gate Arm 11
 Connecting The Gate Arm 11
 Gate Operator Direction 12
 Limit Switch Setup 12

ELECTRICAL INSTALLATION

Power Switch Location 13
 AC Power Guidelines 13
 AC Power Connection 13
 Battery Power Connection 14
 Accessory Power 14
 Master/Slave Connection 15

GATE OPERATOR ADJUSTMENTS

Reverse Sensitivity Adjustment 16
 Reverse Sensitivity Shutdown 16
 Close Time Delay Adjustment 17
 DIP Switch Settings 17

ACCESSORY CONNECTIONS

Accessory Wire Overview 18
 Edge Sensor Connections 19
 Photo Sensor Connections 20
 Standard Reverse Connections 21
 Open, Close, Stop Connections 21
 External Reset Connection 21
 Access Control Connection 22
 Fire Lock Connection 22
 Radio Receiver Connections 23
 MagLock & Solenoid Lock Connections 23
 Alarm & Warning Light Connections 24
 Solar Panel Connections 24

LOOPS & LOOP DETECTORS

Basic Loop Layout 25
 Loop Installation Guidelines 25
 Plug-In Loop Detector Connections 26
 External Loop Detector Connections 26

TROUBLESHOOTING TIPS

Fault Light Count 27


SPARE PARTS

..... 28

LIMITED WARRANTY

Limited Warranty 30

Revision A

 Read and follow all U.L. and Safety Standards before installing any access device. Please refer to this manual and qualified personnel for assistance. Do not install this device unless all entrapment and pinch points are eliminated!

IMPORTANT SAFETY INFORMATION



WARNING: A moving gate can cause serious injury or death. Read and follow all Installation Manual, Reference Manual, and Warning Label Instructions.

IMPORTANT USER INSTRUCTIONS:

Automatic gate systems provide user convenience and limit vehicular traffic. Because these systems can produce high levels of force, it is important that you are aware of the potential hazards associated with the system. Potential hazards may include pinch points, entrapment positions, lack of proper pedestrian access, blind spots for traffic visibility.

It is the joint responsibility of the designer, purchaser, installer and end user to verify the system is properly configured for its intended use. Be sure that the installer has instructed you on the proper operation of the gate and gate system before use. Be sure the installer trains you about the basic functions of the required reversing devices associated with the gate system and how to properly test them. Reversing devices may include reverse loops, sensing edges, photoelectric cells, inherent reverse detection, and/or other external devices.

All users should follow and understand the following points:

- Carefully read and follow all instructions in this manual and keep it in a safe place for future reference.
- Carefully read and follow the “Restrictions & Warnings” section of this manual.
- Carefully read and follow the “Entrapment Prevention” section of this manual.
- Carefully read and understand the “Glossary of Terms” section of this manual.
- Make sure that all residents and users are familiar with the proper use of the gate system and its potential hazards.
- Make sure proper reversing devices are installed on all gates to avoid all potential hazards and entrapment.
- Understand loops and loop detectors, photoelectric cells and other devices must be installed with this gate operator to prevent the gate from closing on vehicles.
- Installation, service and maintenance must be carried out by qualified personnel.
- Understand the manufacturer can not be held responsible for damage or injury caused by improper, erroneous or unreasonable use. Failure to comply with these guidelines may create a dangerous situation and will void any and all warranties.
- Always consult your qualified dealer if any concerns or questions arise.

RESTRICTIONS & WARNINGS:

WARNING - To reduce the risk of injury or death:

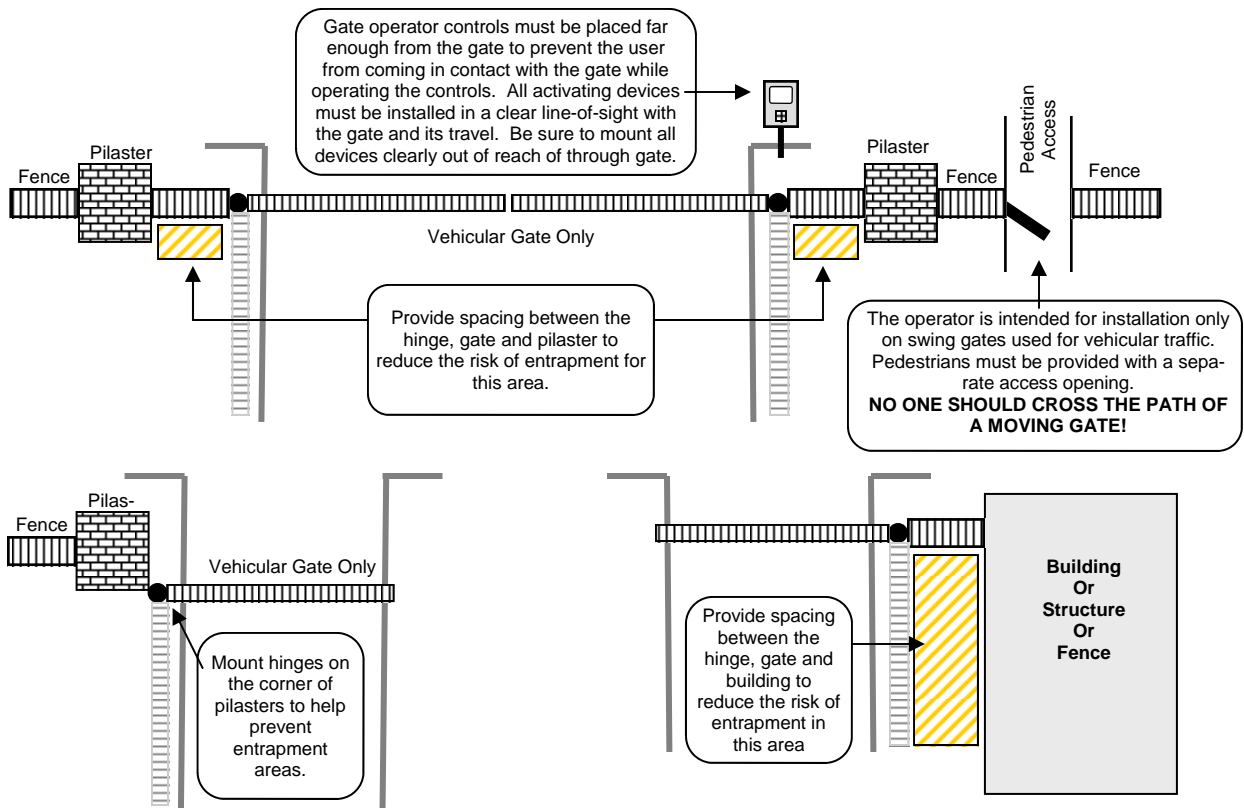
1. READ AND FOLLOW ALL INSTRUCTIONS.
2. Never let children operate or play with gate controls. Keep the remote control away from children. Never allow children to play in the area of the gate system.
3. Always keep people and objects away from gate. **NO ONE SHOULD CROSS THE PATH OF THE MOVING GATE!**
4. Test the operator monthly. The gate **MUST** reverse on contact with a rigid object or stop or reverse when an object activates the non-contact sensors. After adjusting the force or the limit of travel, retest the gate operator. Failure to adjust and retest the gate operator properly can increase the risk of injury or death. If any reverse device functions improperly, remove the operator from service immediately.
5. **KEEP GATES PROPERLY MAINTAINED.** Read the owner’s manual. Have a qualified service person make repairs to gate hardware.
6. The entrance is for vehicles only. Pedestrians must use separate entrance. Keep all pedestrian traffic away from the gate.
7. Use the emergency release/shut off only when the gate is not moving. Make sure the power for the gate operator is off by using the On/Off switch located inside the cover on the left side of the controller.
8. Every gate operator installation **MUST** have secondary protection devices against entrapment, such as edge sensors and photoelectric cells more in particularly in places where the risk of entrapment is more likely to occur. Proper reversing devices **MUST** be installed on all gates to avoid all potential hazards and entrapment.
9. **SAVE THESE INSTRUCTIONS**

IMPORTANT SAFETY INFORMATION

RESTRICTIONS & WARNINGS:

Install the gate operator only if:

1. The gate operator is appropriate for the construction of the gate and the usage Class of the application. Make sure the gate is within the weight and length limitations specified for the operator.
2. All openings of a horizontal slide gate are guarded or screened from the bottom of the gate to a minimum of 4 feet (1.2m) above the ground to prevent a 2 1/4 inch (57.15mm) diameter sphere from passing through the openings anywhere in the gate, and in that portion of the adjacent fence that the gate covers in the open position.
3. ALL EXPOSED PINCH POINTS ARE ELIMINATED OR GUARDED AND GUARDING IS SUPPLIED FOR EXPOSED ROLLERS. DO NOT INSTALL THIS DEVICE UNLESS ALL ENTRAPMENT AND PINCH POINTS ARE ELIMINATED!
4. The operator is intended for installation only on swing gates used to control vehicles. Pedestrians must be provided with a separate access opening.
5. The gate must be installed in a location so that enough clearance is provided between the gate and adjacent structures when opening and closing to reduce the risk of entrapment. Gates should not open into public access areas.
6. The gate must be properly installed and work freely in both directions prior to the installation of the gate operator. DO NOT REDUCE REVERSING SENSITIVITY OR OVERTIGHTEN THE CLUTCH TO COMPENSATE FOR A DAMAGED GATE.
7. Gate operator controls must be placed far enough from the gate to prevent the user from coming in contact with the gate while operating the controls. All activating devices must be installed in a clear line-of-sight with the gate and its travel. Activating devices must be installed a minimum of 10 feet away from the gate. Be sure to mount ALL operating devices clearly out of reach of through gate. Controls intended to be used to reset an operator after two sequential activations of the entrapment protection device must be located in the line-of-sight of the gate. Outdoor or easily accessible controls shall have a security feature to prevent unauthorized use.
8. Warning signs must be permanently installed on both sides of the gate and must be fully visible to traffic and pedestrians.
9. Install the gate system and gate in accordance with ASTM F220-02: Standard Specification for Automated Vehicular Gate Construction. and with UL325: Standard for Safety for Door, Drapery, Gate, Louver, and Window Operators and Systems



IMPORTANT SAFETY INFORMATION

INTERNAL ENTRAPMENT PREVENTION:

This vehicular gate operator is equipped with an inherent (Type A) entrapment sensing device. The system will sense an obstruction in both the open and close cycles, and will reverse the direction of the gate travel upon encountering an obstruction. If the system detects a second obstruction before reaching the full open or close limit after the initial reversal, a warning alarm will activate and the operator will require a reset before resuming normal operation. This is called a "Hard Shutdown". Please read and follow the "Shutdown Conditions" section of this manual for more directions.

EXTERNAL ENTRAPMENT PREVENTION:

Non-contact and/or contact sensors must be installed to provide external entrapment prevention in accordance with UL325 section 3.1. Use only UL325 compliant devices and low voltage (24V) devices. Carefully follow the installation manual for the UL325 device used for installation, usage, and maintenance.

Non-Contact Sensors (Photo Beams):

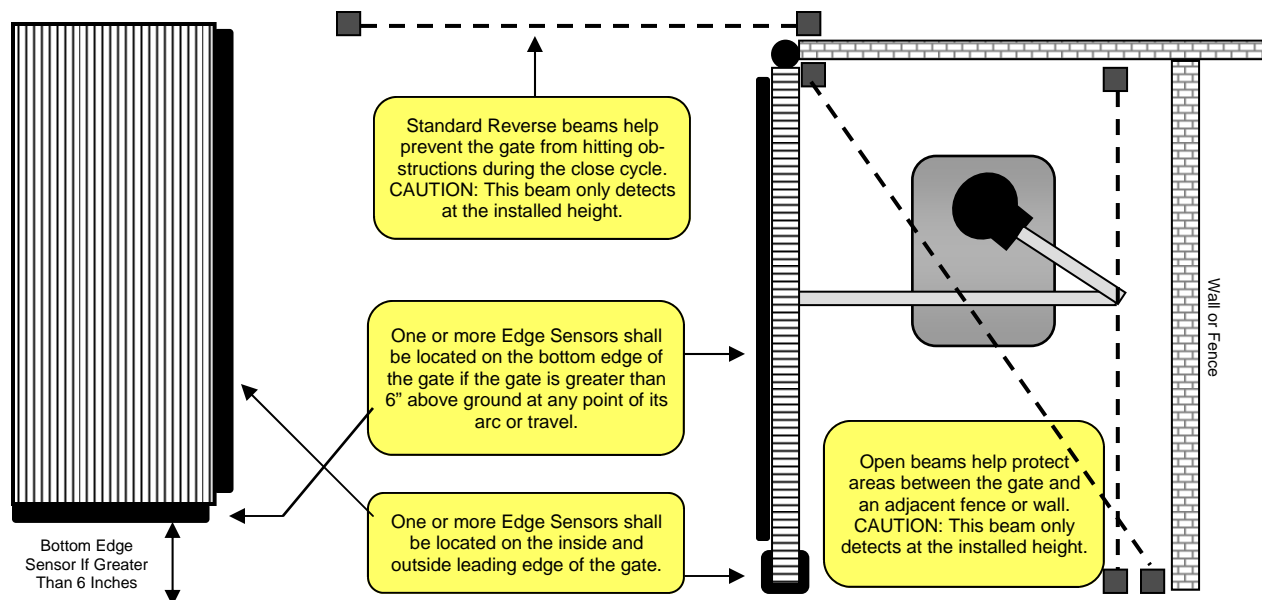
Non-contact sensors generally are photoelectric cells or like devices. For gate operators utilizing non-contact sensors:

1. Refer to the diagram below for placement of non-contact sensors.
2. Use care to reduce the risk of nuisance tripping, such as when a vehicle trips the sensor while the gate is still moving.
3. One or more non-contact sensors shall be located where a risk of entrapment or obstruction exists, such as the perimeter reachable by a moving gate or barrier, entrapment areas, and/or pinch points. Use caution when installing non-contact sensors since some devices only cover a select area. For example, a photo beam will not cover the full height of a gate/fence area. Refer to the diagram below.

Contact Sensors (Edge Sensors):

Contact sensors generally are sensing edges or like devices. For gate operators utilizing contact sensors:

1. Refer to the diagram below for placement of contact sensors.
2. One or more contact sensors shall be located where the risk of entrapment or obstruction exists, such as the inside and outside leading edge of the gate. One or more edge sensors shall be located on the bottom edge of the gate if the gate is more than 6" above ground at any point of its arc or travel.
3. Hardwired contact sensors shall be located and its wiring arranged so the communication between the sensor and the gate operator is not subject to any mechanical damage.
4. Wireless contact sensors such as ones that transmit radio frequency (RF) signals to the gate operator for entrapment prevention functions shall be located where the transmission of the signals are not obstructed or impeded by building structures, landscaping or similar obstructions. All wireless contact sensors shall function under the intended end-use conditions.



IMPORTANT SAFETY INFORMATION

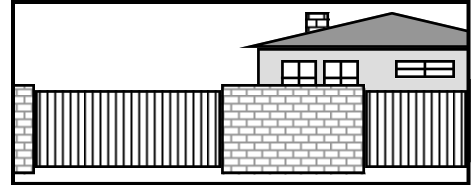


IMPORTANT: Make sure the gate operator usage classification is correct for the site and the type of gate. Do not install this device beyond its classification.

UL325 GATE OPERATOR CLASSIFICATION:

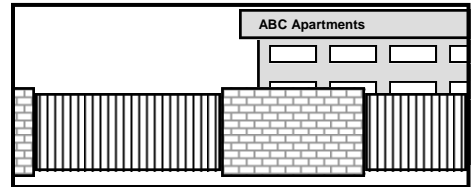
RESIDENTIAL VEHICULAR GATE OPERATOR

CLASS I: A vehicular gate operator (or system) intended for use in a home of one to four single family dwelling, or a garage or parking area associated therewith.



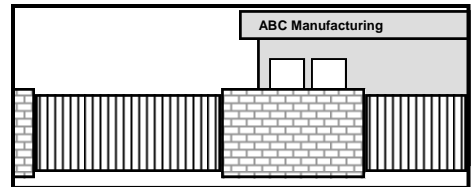
COMMERCIAL/GENERAL ACCESS VEHICULAR GATE OPERATOR

CLASS II: A vehicular gate operator (or system) intended for use in a commercial location or building such as a multi-family housing unit (five or more single family units), hotels, garages, retail store, or other building servicing the general public.



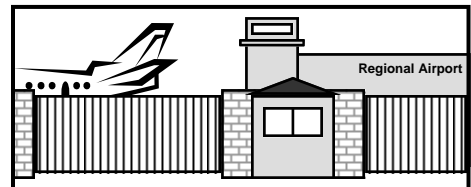
INDUSTRIAL/LIMITED ACCESS VEHICULAR GATE OPERATOR

CLASS III: A vehicular gate operator (or system) intended for use in an industrial location or building such as a factory or lading dock area or other locations not intended to service the general public.



RESTRICTED ACCESS VEHICULAR GATE OPERATOR

CLASS IV: A vehicular gate operator (or system) intended for use in a guarded industrial location or building such as an airport security area or other restricted access locations not servicing the general public, in which unauthorized access is prevented via supervision by security personnel.



GLOSSARY OF TERMS:

GATE: A moving barrier such as a swinging, sliding, raising, lowering, or the like, barrier, that is a stand-alone passage barrier or is that portion of a wall or fence system that controls entrance and/or egress by people or vehicles and completes the perimeter of a defined area.

VEHICULAR SWING GATE OPERATOR (Or System): A vehicular gate operator (or system) that controls a gate which swings and is intended for use for vehicular entrance or exit to a drive, parking lot, or the like.

VEHICULAR HORIZONTAL SLIDE GATE OPERATOR (Or System): A vehicular gate operator (or system) that controls a gate which slides in a horizontal direction that is intended for use for vehicular entrance or exit to a drive, parking lot, or the like.

ENTRAPMENT: A condition when a object is caught or held in a position that increases the risk of injury or death.

INHERENT ENTRAPMENT SENSING DEVICE: An automatic sensor system, which senses entrapment of a solid object and is incorporated as a permanent and integral part of the gate operator.

NON-CONTACT SENSOR: External device such as a photoelectric cell used to provide entrapment prevention and located where a risk of entrapment or obstruction exists.

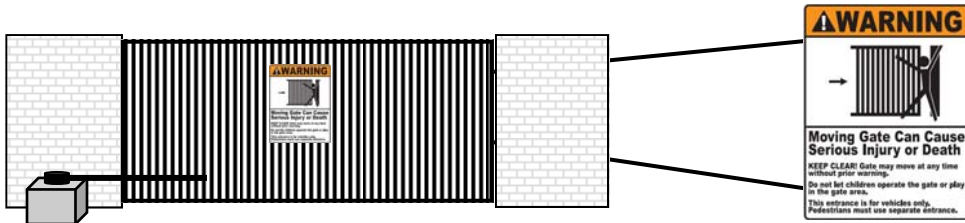
CONTACT SENSOR: External device such as an edge sensor used to provide entrapment prevention located where a risk of entrapment or obstruction exists such as the leading edge, trailing edge, and posts mounted inside and outside of the vehicular slide gate and motor.

IMPORTANT SAFETY INFORMATION





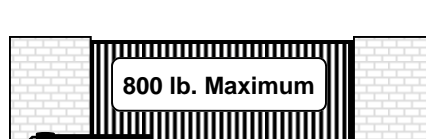

WARNING SIGN INSTALLATION:

This vehicular gate operator is supplied with two warning signs to alert people that a potential hazard may exist and that appropriate action should be taken to reduce the risk of hazard, injury or death.

1. Warning signs must be permanently installed on both sides of the gate and must be fully visible to traffic and pedestrians
2. Use appropriate hardware such as metal screws (not supplied) to permanently install each warning sign



INSTALLATION PRECAUTIONS:

 <p>DO NOT allow children to play near, on or with the gate, gate operator, or any of its controls.</p>	 <p>DO NOT allow pedestrian use of the vehicular gate. No one should cross the path of a moving gate!</p>	 <p>DO NOT mount the gate operator to a gate longer than 18 feet. Maximum gate length = 18 feet.</p>
 <p>DO NOT mount operating devices accessible through the gate or in between the gate and wall.</p>	 <p>DO NOT mount the gate operator to a gate heavier than 800 lbs. Maximum gate weight = 800 lbs.</p>	 <p>DO NOT mount the gate operator on uphill or downhill applications. Do not allow gate to free swing.</p>

PREINSTALLATION GUIDELINES:

Before starting any installation, consider the following guidelines:

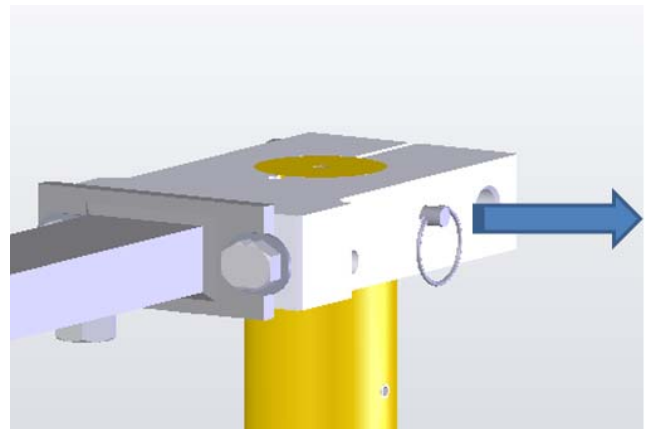
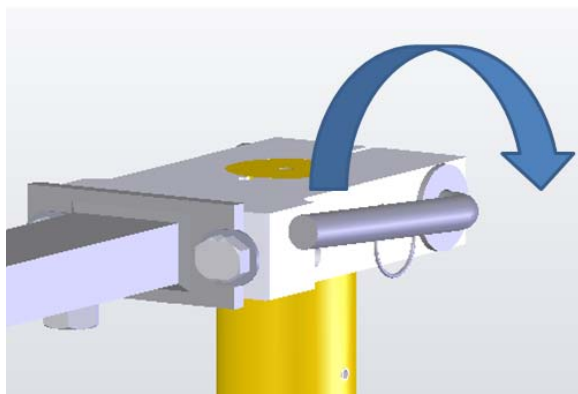
- Install the gate system and gate in accordance with ASTM F220-02: Standard Specification for Automated Vehicular Gate Construction. Install the gate system and gate in accordance with UL325 standards.
- Provide spacing between the gate and any structure such as a building, wall or fence to reduce the risk of entrapment in this area.
- Swing gates shall not open into public access areas.
- Be sure the gate is properly installed and moves freely. Repair or replace worn or damaged gate hardware before installing the gate operator.
- Add safety devices such as warning signs, photo eyes, and reverse edges to help prevent injuries or death. Reduce all pinch points and protect all entrapment areas.
- If pedestrian traffic will be present, provide a separate pedestrian walk gate clear from the path of the automatic gate.
- Loops and loop detectors are required to help prevent the gate from closing on vehicles. Loops do not protect pedestrian traffic.
- Select the proper gate operator for the installation. Consider the usage, capacity, gate size, gate weight, and needed features and safety accessories.
- **If proper safety guidelines can not be followed do not install the gate operator.**

IMPORTANT SAFETY INFORMATION

MANUAL RELEASE:

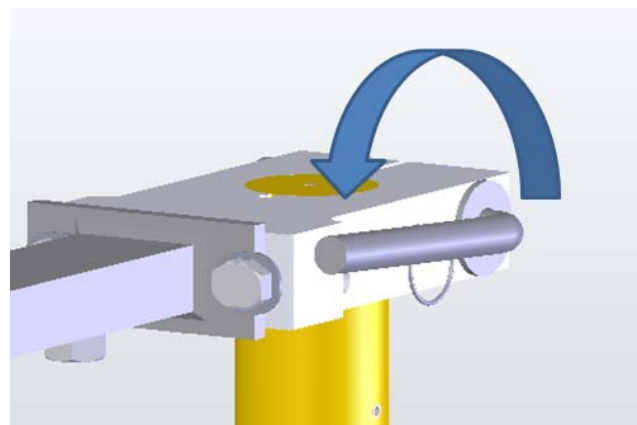
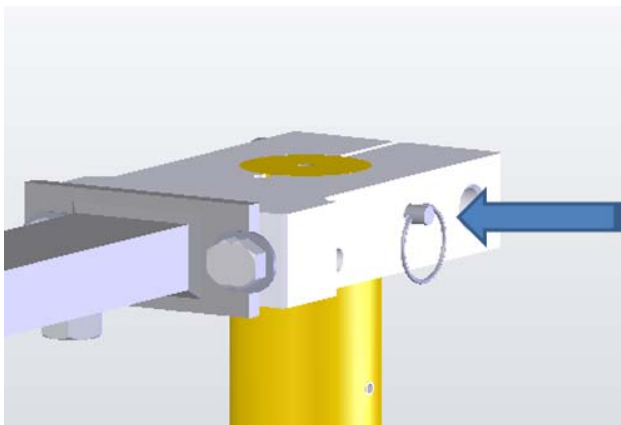
To manually release the gate operator:

1. **TURN POWER OFF.** Use the emergency release/shut off only when the gate is not moving. Make sure power for the gate operator is OFF by using the On/Off switch located inside the cover on the left side of the controller.
2. Remove the top arm cap cover.
3. Lift the Release Handle.
4. Remove the Alignment Pin.
5. Move the gate to the desired location.



To reengage the gate operator:

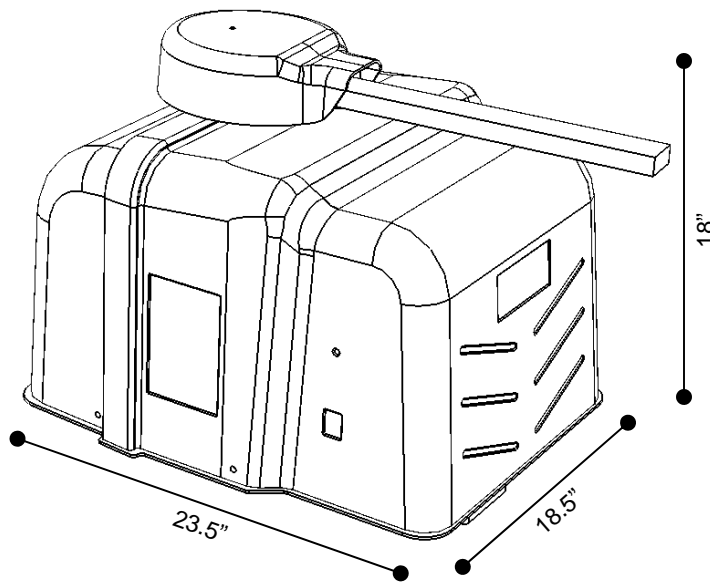
1. **Make sure power is OFF.**
2. Manually move the gate to align the arm with the output shaft and insert the Alignment Pin.
3. Press the Release Handle down until tight. The release handle should be tightened so the arm connector does not slip on the output shaft during gate operation
4. Attach the top arm cap cover.
5. Turn power on. Make sure the gate and all reversing devices are operating correctly.



TECHNICAL SPECIFICATION

GATE OPERATOR SPECIFICATIONS:

Type of Gate	Vehicular Swing Gate Only
Horse Power	1/2 HP, 500 Watt
Power Input	120 VAC
Current	6A
Cycles/Hour	75
Travel Speed	90 ° In Approx 14 Seconds
Maximum Gate Weight	800 lbs
Maximum Gate Length	18 Feet
Primary Entrapment Protection	Inherent Current Sensor
Secondary Entrapment Protection	Provisions for Non-Contact & Contact Sensors
UL325 Class of Operation	Class I, II, II, IV

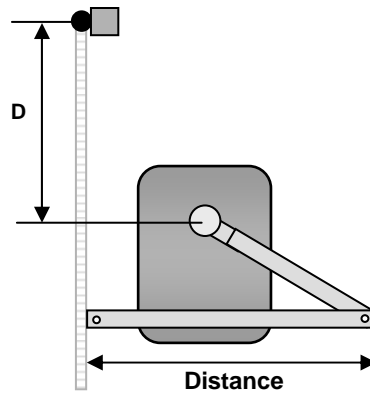
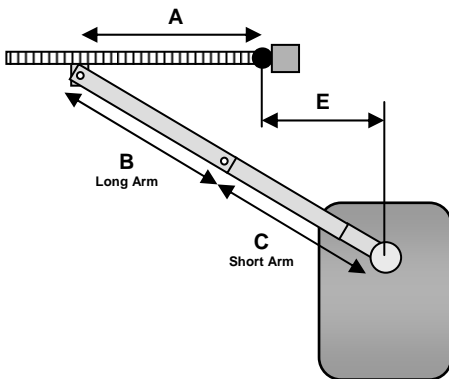


GATE OPERATOR INSTALLATION

GATE OPERATOR LOCATION:

Use the following steps to locate the standard position of the gate operator. The charts may be used for alternate locations.

1. D = 35" from hinge center straight back.
2. E = 11" from D to Operator Output Shaft.
3. DISTANCE = 45" from gate to wall.



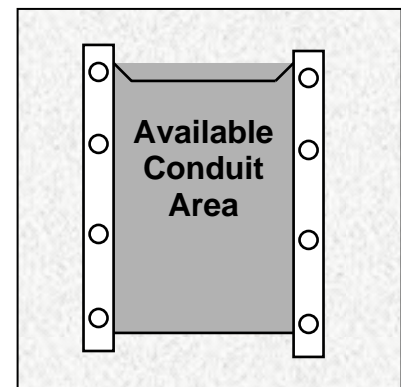
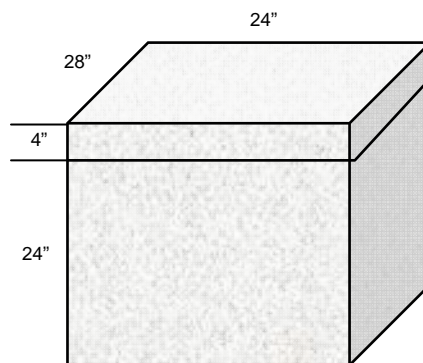
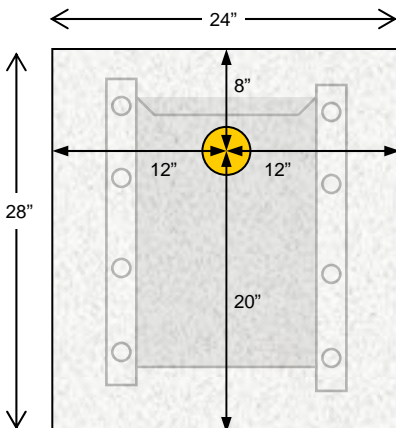
A	B	C	D	E	Dist
46"	35.5"	29.5"	35"	11"	45"
46.75"	35.5"	33.5"	42"	11"	37"
46.75"	37"	31.5"	40"	11"	41"
47.25"	37.25"	30"	37"	11"	45"
47"	35"	29.5"	32"	11"	45"
42.5"	33"	26.5"	28.5"	11"	41"

A	B	C	D	E	Dist
34.5"	34.75"	29.5"	35"	14"	43"
44"	36.5"	32.5"	42"	14"	32"
44"	37"	30.5"	40"	14"	40"
45"	37"	30.5"	37"	14"	43"
44.75"	35.75"	29.5"	32"	14"	44"
41"	39"	27.5"	28.5"	14"	41"

CONCRETE PAD SIZE & LOCATION:

The FSW900 vehicular gate operator is designed to be mounted on a concrete pad. Select a location for the gate operator to be installed. For pad location and size:

1. Determine the location for the operator to be installed. Determine the location of the output shaft as described above. Then determine the location of the concrete pad following the drawing below
2. Follow all local building codes to determine the required depth of the concrete pad. The average concrete pad should be 24" wide x 28" long x 24" deep. Extend the pad 4" above ground.
3. When the exact location of the operator can be predetermined, all conduits may be located in the concrete pad terminating directly under the operator. Extend each conduit a minimum of 1" above the level of the concrete pad. See the Conduit Location diagram below. It is suggested to install a minimum of four (4) conduits: (1) High Voltage Conduit, (1) Low Voltage Conduit, (1) Loop Lead Wire Conduit, (1) Accessory Conduit.
4. When the exact location of the operator can not be predetermined, bring all conduits up to one side and terminate in a Bell Box. Make connections to the operator using water-tight flex conduit.
5. Form the concrete pad and pour concrete. Allow the concrete to cure for 48 hours before removing forms and mounting the operator.
6. Do not place mounting bolts in the concrete while pouring. Bolts may drift in wet concrete making the operator location inaccurate.



GATE OPERATOR INSTALLATION

GATE OPERATOR BOLT DOWN

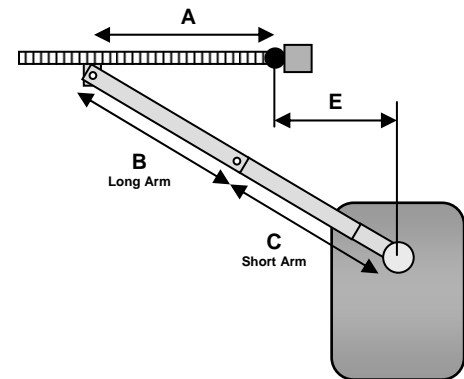
To align the operator to the gate and bolt it down:

1. Remove the gate operator cover and place the operator on the concrete pad. Position the operator as determined in "Gate Operator Location. Make sure the gate and operator are parallel and level with each other.
2. Mark the mounting holes and remove the operator. Drill the mounting holes to the required depth and diameter for the sleeve anchors being used. It is recommended to use 3/8" x 4" sleeve anchors. The use of sleeve anchors allows greater flexibility and makes the installation and alignment much easier.
3. Clean the mounting holes and install the sleeves. Position the operator over the anchors. Recheck to make sure the gate and operator are parallel and level with each other. Tighten the anchor bolts to securely hold the operator.

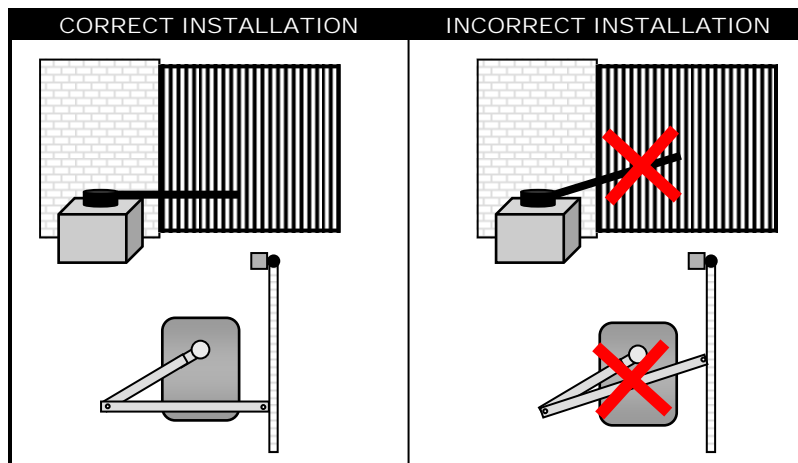
MEASURE & WELD THE GATE ARM

To determine the arm length in a standard location:

1. Make sure the Arm, Operator, and gate are level with each other.
2. A = Measure 46" from gate hinge out on gate.
3. B = Measure 35.5" for Long Arm length.
4. C = Measure 29.5" for Short Arm length.
5. Use the "Gate Operator Location Charts" for optional dimensions.
6. Mark all points and remove arm before welding.
7. With the arm disconnected, weld the arm, arm bars and brackets.



IMPORTANT! Always disconnect the arm and arm connectors before welding to prevent damage to the gate operator and its electronics.



CONNECTING THE GATE ARM

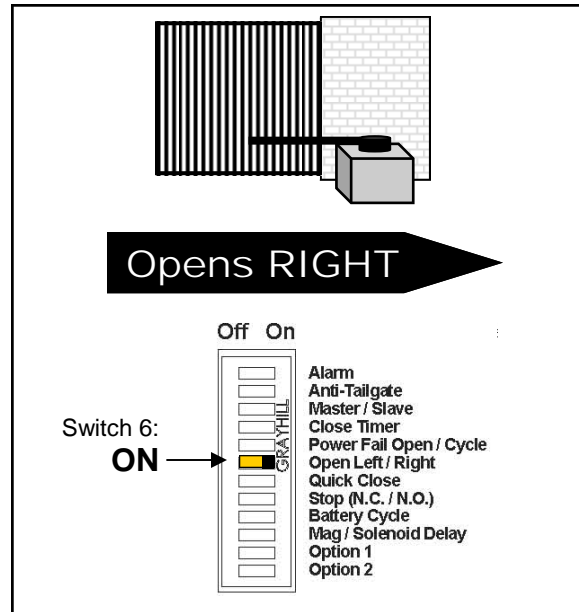
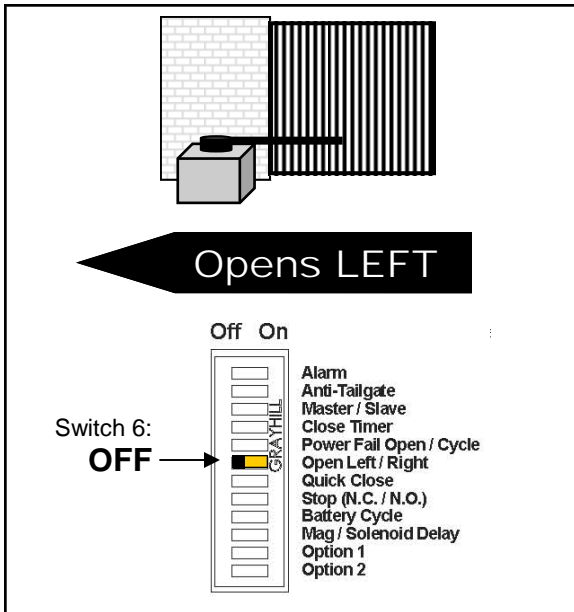
1. Make sure the power switch is OFF before connecting the arm assembly.
2. Place the Arm Connector over Output Shaft.
3. Manually move the gate to align the arm with the Output Shaft and insert the Alignment Pin.
4. Move the Release Handle down to tighten. The release handle should be tightened so the arm connector does not slip on the output shaft during gate operation
5. The Release Handle Nut Plate may be removed to adjust the Release Handle position if needed. Reconnect the plate when adjusted.
6. Attach the top Arm Cap Cover.

GATE OPERATOR INSTALLATION

GATE OPERATOR DIRECTION:

The gate operator uses a DIP switch setting to determine the open and close direction. To set the Open/Close direction:

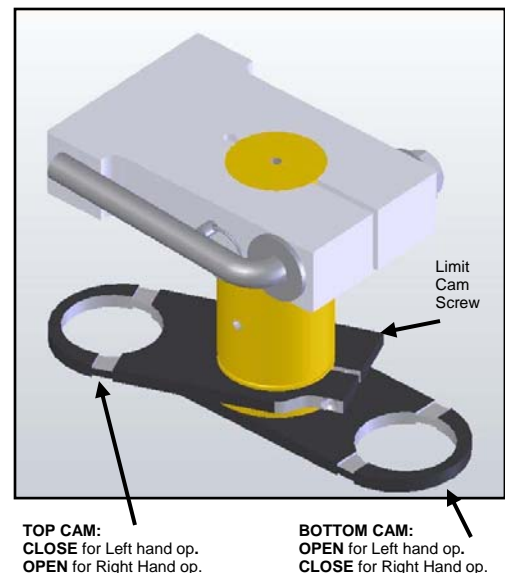
1. **Turn power OFF.** Use the power switch on the side to assure AC and Battery power are both OFF.
2. Standing inside the gate looking at the gate operator, determine if the gate opens to the LEFT or RIGHT.
3. If the gate opens to the LEFT, move DIP SWITCH 6 to the Left.
4. If the gate opens to the RIGHT, move DIP SWITCH 6 to the Right.



LIMIT SWITCH SETUP:

The gate operator uses a limit switch assembly to adjust the distance of travel. These adjustments must be made before the operator can be used. To adjust the distance of travel using the limits:

1. Move the open and close Limit Cams to the approximate location.
2. Turn the operator ON and give it an open command. Let it run until it gets to the open position. Give the operator a stop command when the gate reaches the full open position. Rotate the Open Limit Cam until it activates the switch. The switch will click when activated. Tighten the Limit Cam screw if needed.
3. Give the operator a close command. Let it run until it gets to the close position. Give the operator a stop command when the gate reaches the full close position. Rotate the Close Limit Cam until it activates the switch. The switch will click when activated. Tighten the Limit Cam screw if needed.
4. Run the operator again and fine tune the Cam positions.
5. Make sure each limit cam hits the switch cleanly.



ELECTRICAL INSTALLATION

POWER SWITCH LOCATION:

The gate operator uses a built-in power switch to control power to the operator and controller. This switch should be turned OFF during installation and service. Failure to use this switch can result in unexpected gate movement. Please note:

1. The switch is located on the LEFT side of the control box.
2. DOWN position = OFF. UP position = ON.
3. This switch must be used to turn OFF AC and battery power. Only disconnecting AC power still allows battery power to the operator, controller, and accessories.

AC POWER GUIDELINES:

Under normal conditions, the gate operator will use a single phase AC power line to operate the gate, charge the batteries, and power gate accessories. Use the following guidelines when installing the AC power:

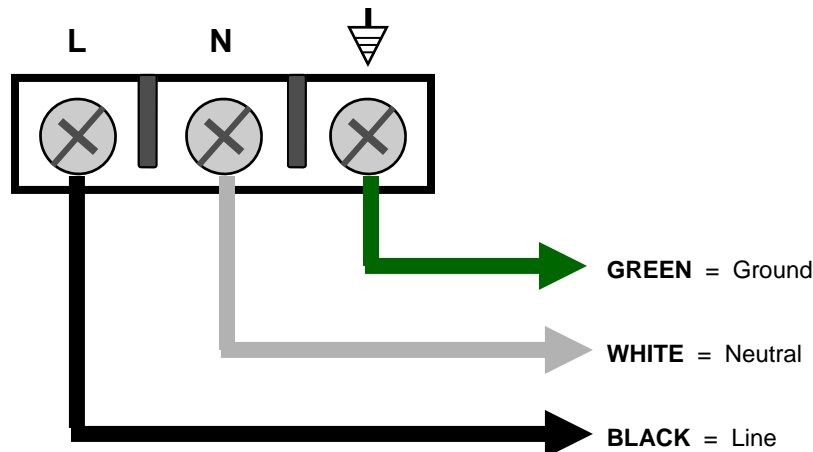
1. Check the local wiring codes in all cases and follow all local building codes. Wiring and hookup should be performed by a qualified electrician/installer only.
2. AC power should be supplied from a circuit breaker panel and must have its own dedicated circuit breaker. This supply must include a green ground conductor.
3. Only use UL approved 14 AWG or larger 600 Volt Insulated Wire. Use the following chart to determine the AC wire size. This information is for suggested use only - Check your local codes before installation.
4. Properly ground the gate operator to minimize or prevent damage from power surges and/or lightning. Use a grounding rod if necessary. A surge suppresser is recommended for additional protection.

Wire Size:	14 Gauge	12 Gauge	10 Gauge	8 Gauge	4 Gauge
Distance:	250 Feet	400 Feet	650 Feet	1000 Feet	2000 Feet

AC POWER CONNECTION:

To connect AC power to the gate operator:

1. Turn the circuit breaker for the AC gate operator power OFF before connecting the AC input wires.
2. Turn the Power Switch OFF located on the left side of the controller before connecting the AC input wires.
3. Connect the AC input wires to the AC terminal located on the bottom/center of the control box. See diagram below.
4. Batteries must be installed after the AC power is on. See Battery Power Connection.

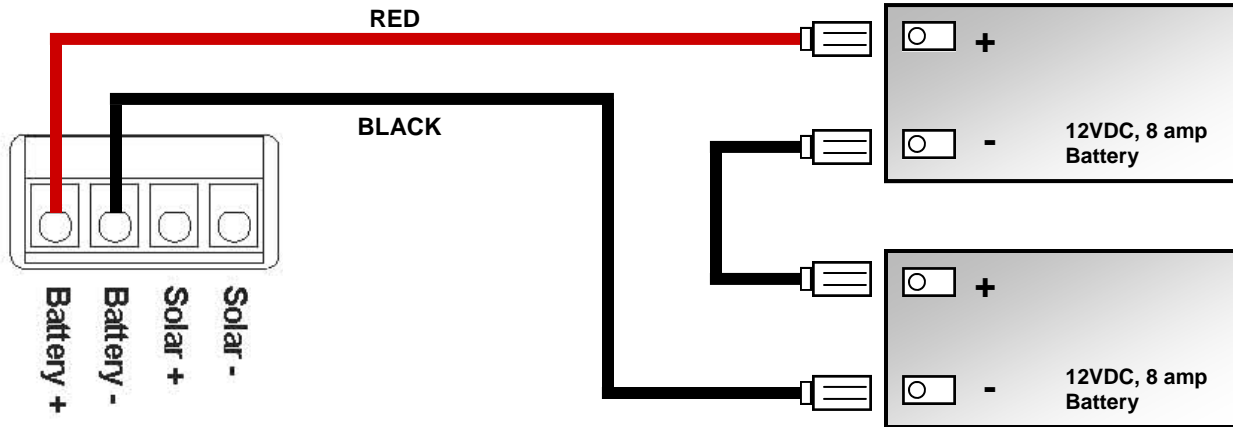


ELECTRICAL INSTALLATION

BATTERY POWER CONNECTION:

If AC power is connected, the system does not need the batteries to function. However, the batteries must be connected for the Power Fail Battery Backup features to operate. When AC power is active, the batteries will charge until fully charged. Once the batteries have fully charged, the system will stop charging. Charging is automatic when AC power is available. The system should be prewired with the batteries. If not, to connect batteries to the system:

1. Connect the RED wire from the Battery + Terminal to the positive terminal of the first battery.
2. Connect the BLACK wire from the Battery - Terminal to the negative terminal of the second battery.
3. Connect a jumper between the remaining terminals of each battery.

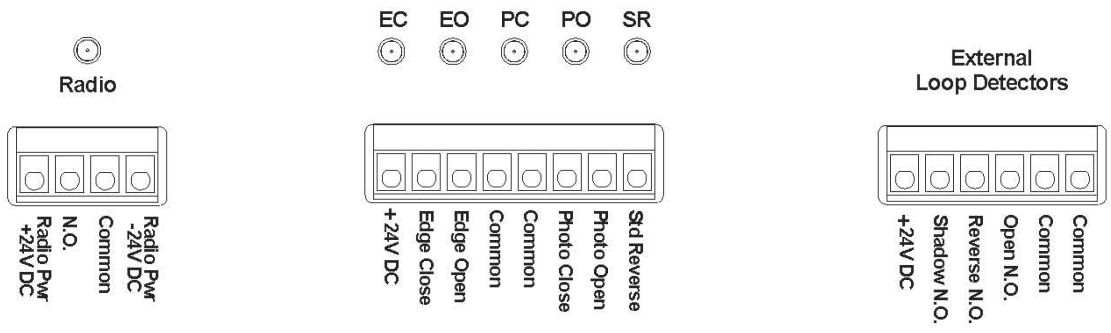


Batteries should be tested regularly for proper battery backup operation. Batteries should be replaced each year or as needed.

ACCESSORY POWER:

Two plug-in power plugs are located on the back of the controller. These plugs are for low voltage accessories and are separately fused. Low voltage, low current draw transformers may be plugged into these outlets for accessory power. **DO NOT USE THESE POWER OUTLETS FOR INSTALLATION OR SERVICE TOOLS.** Each plug supplies 110 VAC when AC power is active to the gate operator. If AC is not available, the power plugs will not supply power. Accessories requiring power during battery backup modes should use the 24 VDC located on the controller terminals.

Additional accessory power may be found on the controller terminals. The controller terminals supply 24 VDC for accessories. This power is available during AC and battery power modes. When AC power is active, accessories will be supplied 24 VDC without a power draw on the batteries. When the battery backup mode is active, accessories will be supplied 24 VDC from the batteries. If the battery power mode is used frequently, consider the current draw of the accessories. The lower the current draw, the longer the battery power supply will last. Additional 24 VDC for accessories may be found on the Radio Terminal, Edge/Photo Terminal, and External Loop Terminal. A connection between 24V DC+ and Common will supply power.



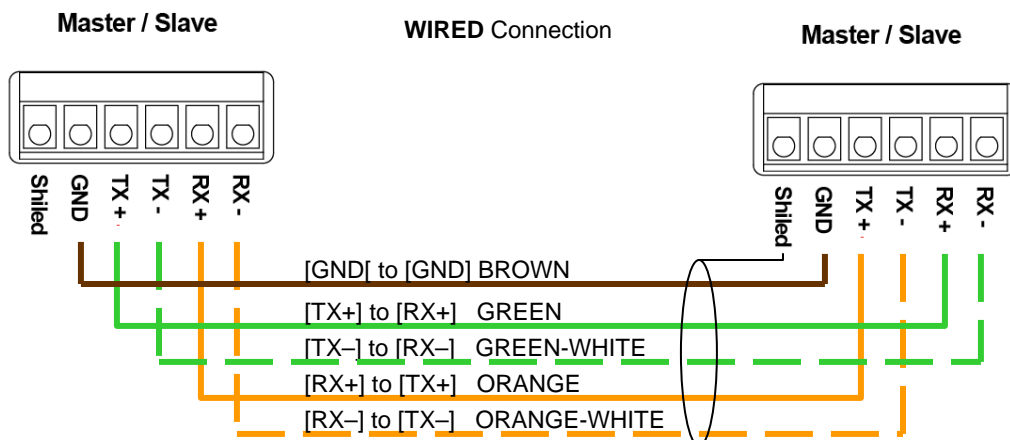
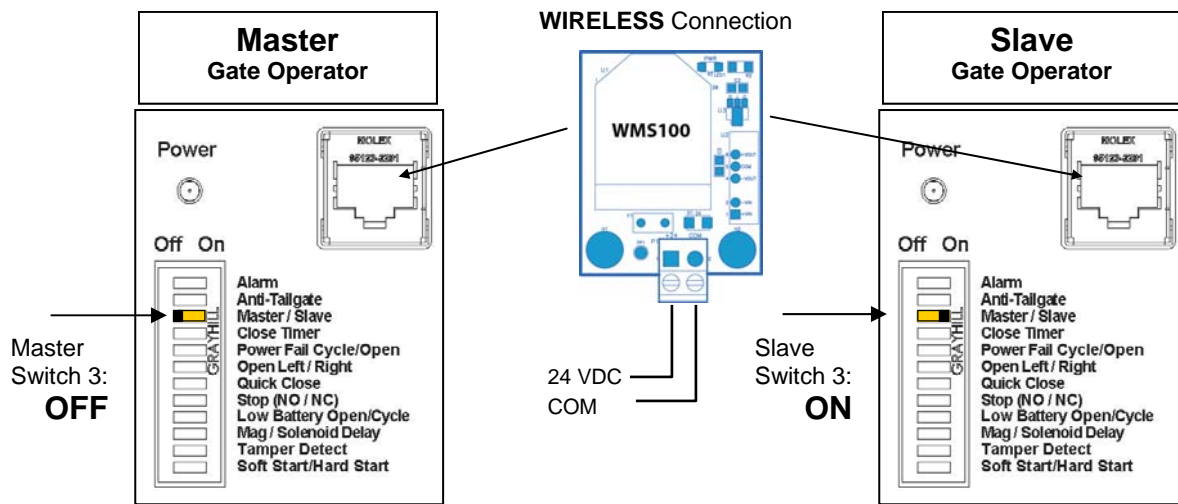
ELECTRICAL INSTALLATION

MASTER/SLAVE CONNECTION:

The operator can be used in a Master-Slave configuration to control the two leaves of a bi-parting gate. That can be done with a wired or wireless connection. The wired connection should be the default choice if there is a way to bring a cable across the gate opening. If that's impractical you can use the wireless connection accessory WMS100 to establish the communication between Master and Slave. In the latter case you need to make sure there is no metal blocking the line of sight between the two operators, for example a metal gate with no openings.

To connect two operators together:

1. Determine which operator is the Master and which operator is the slave. **All external devices such as loop detectors and safety devices must be wired directly to the Master unit.** If one gate travels further than the other the gate that travels further must be the Master
2. Turn Slave Operator DIP Switch 3 to ON = SLAVE
3. Turn Master Operator DIP Switch 3 to OFF = MASTER
4. **WIRED CONNECTION:** in a separate conduit, run a 6-conductor cable (twisted pairs) between the Master operator and the Slave operator. Make the connections on the Master/Slave Terminal Block following the schematic below. (Recommended Wire: Outdoor Rated CAT 5 Cable. If shielded make sure the shield is connected on one side only)
OR
4. **WIRELESS CONNECTION:** Plug one WMS100 board on the RJ45 connector on the top left of the Master control board and one on the Slave.
5. Power up the operators and verify that the SLAVE LEDs are blinking

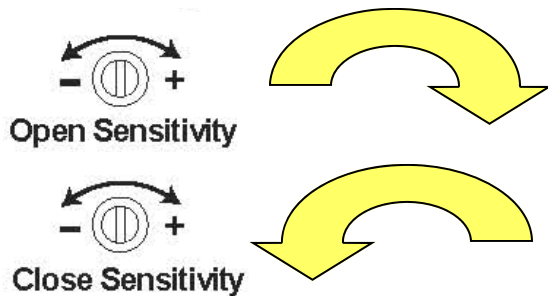


GATE OPERATOR ADJUSTMENTS

REVERSE SENSITIVITY ADJUSTMENT:

The gate operator is equipped with an inherent (Type A) entrapment sensing system. The sensor detects obstructions in both the open and close path of the gate. There is an OPEN SENSITIVITY Adjustment and a CLOSE SENSITIVITY Adjustment. To adjust the sensitivity:

1. Activate the gate to open.
2. While the gate is running open, slowly rotate the OPEN SENSITIVITY adjustment clockwise to INCREASE the sensitivity until the gate stops in mid-travel.
3. Gently rotate the OPEN SENSITIVITY adjustment counter-clockwise 1/8 turn to DECREASE the sensitivity.
4. Activate the gate to close.
5. While the gate is running closed, slowly rotate the CLOSE SENSITIVITY adjustment clockwise to INCREASE the sensitivity until the gate stops in mid-travel.
6. Gently rotate the CLOSE SENSITIVITY adjustment counter-clockwise 1/8 turn to DECREASE the sensitivity.
7. Operate the gate a few times to be sure it fully cycles without stopping.
8. Place an immobile object in the open path of the gate to stop the gate while in travel. The gate should stop and enter a Soft Shutdown upon striking the object.
9. Place an immobile object in the closed path of the gate to stop the gate while in travel. The gate should stop and enter a Soft Shutdown upon striking the object.
10. Repeat steps 2 - 6 until the correct sensitivity adjustment is found.



Clockwise Turn:

INCREASE Sensitivity
(Reverse the gate more easily)

Counter-Clockwise Turn:

DECREASE Sensitivity
(Reverse the gate less easily)

CAUTION:

Gently rotate each adjustment. Turning the adjustment POT too hard will break the adjustment.



For the Reverse Sensor to function correctly, the gate must be properly installed and work freely in both directions. Repair or replace worn hardware.

REVERSE SENSITIVITY SHUTDOWN:

Upon a first obstruction, the reverse sensor should:

1. Stop the gate and reverse it approximately two (2) inches.
2. Disable the Timer To Close Feature until the gate operator receives a new command = Soft Shutdown.
3. Any standard input can reactivate the gate and return it to normal operation.

Upon a second consecutive obstruction before the gate reaches either limit, the reverse sensor should:

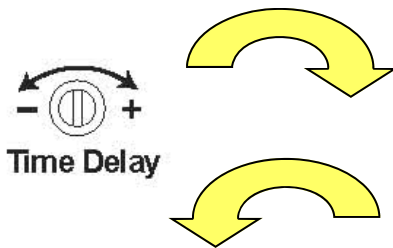
1. Stop the gate.
2. Disable the gate operator = Hard Shut Down.
3. Sound the audio alarm for five (5) minutes or until the operator has been reset.
4. Only resetting the operator will reactivate the gate and return it to normal operation.
5. To reset the operator in a Hard Shut Down situation: Press the reset button on the left side of the controller or turn the power switch OFF and back ON.

GATE OPERATOR ADJUSTMENTS

CLOSE TIME DELAY ADJUSTMENT:

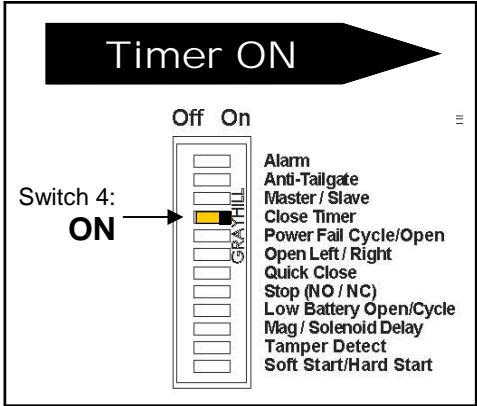
The gate operator is equipped with a built-in automatic timer to close feature. This feature should be set to the OFF position until proper safety and reverse devices have been installed. **CAUTION:** Turning on the Close Time Delay without proper safety and reverse devices can cause serious injury, death, and property damage. The Close Time Delay can be set to from 1 to 90 seconds. When active, the Close Time Delay will hold the gate open until the internal timer has timed out and then allows the gate to close. To turn OFF/ON and adjust the Close Time Delay:

1. To turn OFF the Close Time Delay, move DIP SWITCH 4 to the Left.
2. To turn ON the Close Time Delay, move DIP SWITCH 4 to the Right.
3. Turn power Off and back On to reset DIP Switch settings.
4. Rotate the TIME DELAY adjustment clockwise to INCREASE the delay.
5. Rotate the TIME DELAY adjustment counter-clockwise to DECREASE the delay.



Clockwise Turn:
INCREASE Time Delay
 (Holds gate open longer time)

Counter-Clockwise Turn:
DECREASE Time Delay
 (Holds gate open shorter time)



CAUTION:

Gently rotate each adjustment. Turning the adjustment POT too hard will break the adjustment.

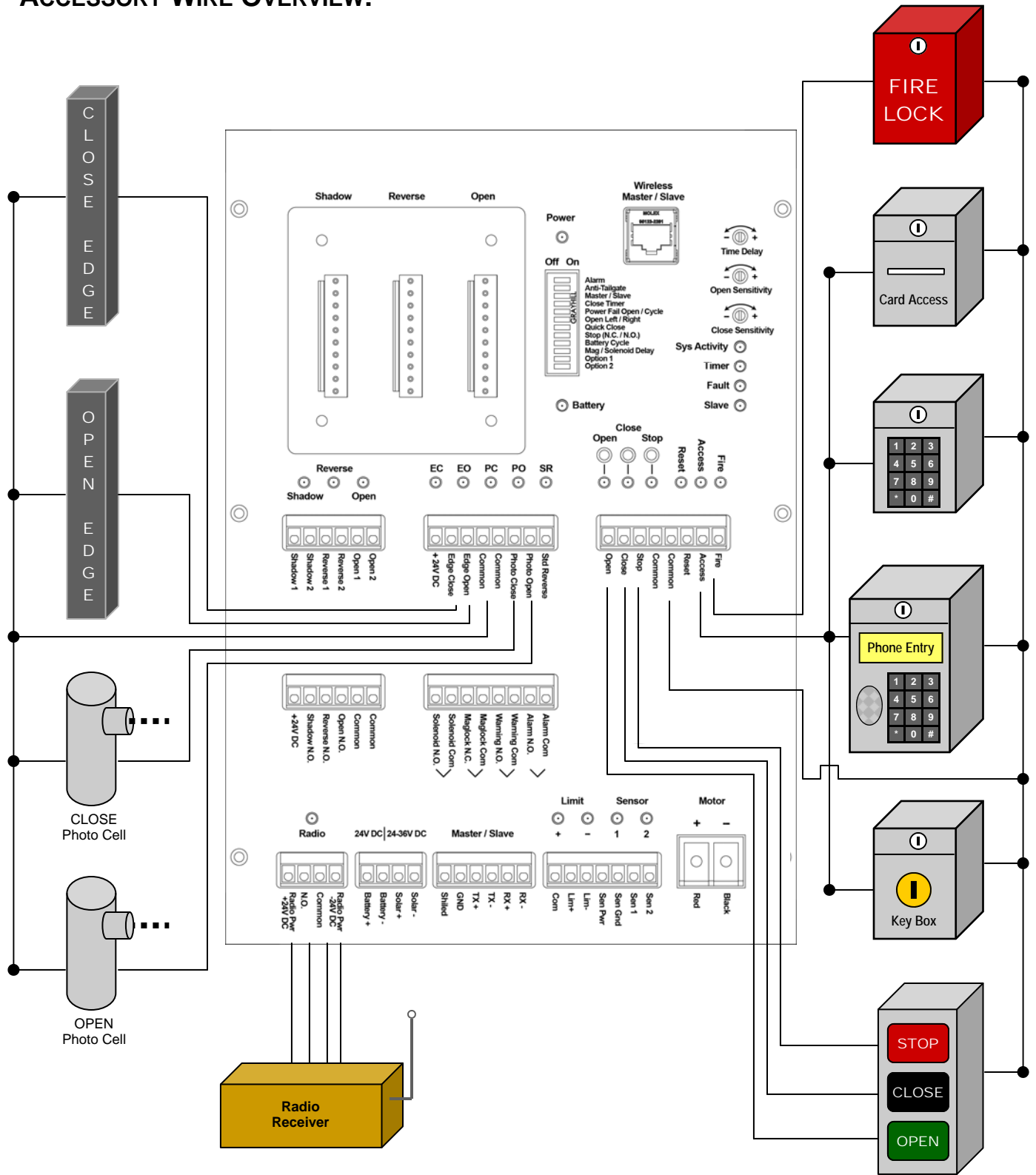
DIP SWITCH SETTINGS

The DIP Switches located on the top right face of the controller are used to set several different functions. This list gives a brief description. The factory setting is in bold print. Please review each individual section in this manual for more detail.

Switch	Function	Description
1	Alarm	OFF: Sounds the built-in alarm in shutdown applications only. ON: Beeps while gate is moving. Sounds the alarm in shutdown applications.
2	Anti-Tailgate	OFF: Gate opens and closes normal. ON: Uses loops to control vehicles individually.
3	Master / Slave	OFF: Operator is set as a Master (Primary). ON: Operator is set as a Slave (Secondary).
4	Close Timer	OFF: Time Delay Close feature is inactive. Command to open, command to close. ON: Time Delay Close feature is active. Gate opens, times out, closes.
5	Power Fail Cycle / Open	OFF: During power failure, gate will cycle using BBU until batteries are too low to function. ON: During power failure, gate will open and remain open until AC power is restored.
6	Open Left / Right	OFF: Opens the gate Left. (Standing inside looking out at operator) ON: Opens the gate Right. (Standing inside looking out at operator)
7	Quick Close	OFF: Gate opens and closes normal. ON: Gate opens until loops are cleared. Then closed gate even if gate did not reach full open position.
8	Stop (NO / NC)	OFF: Allows a NO Stop Switch to be used. ON: Allows a NC Stop Switch to be used. Stop Switch must be installed for this setting to be ON.
9	Battery Cycle	OFF: Cycles gate until batteries are too low and stops. Switch 5 must be OFF. ON: Cycles gate until batteries are too low and then opens gate. Switch 5 must be OFF.
10	Mag / Solenoid Delay	OFF: No delay - activates gate immediately ON: Delays 2 seconds before activating gate. Allows time for Maglock to discharge.
11	Tamper Detect	OFF: No action - not used on FSW900 ON: Activates Tamper Detect Feature - not used on FSW900
12	Hard Start	OFF: Normal Soft Start, Soft Stop mode. ON: Operator starts with 40% motor power for more starting torque. Normal start = 5% motor power.

ACCESSORY CONNECTIONS

ACCESSORY WIRE OVERVIEW:



ACCESSORY CONNECTIONS

EDGE SENSOR CONNECTIONS:

The gate operator has a Close Edge Terminal and an Open Edge Terminal for added control of the Sensing Edge functions. The following chart describes the functions for a Close Edge Sensor and an Open Edge Sensor:

Close Edge Input:

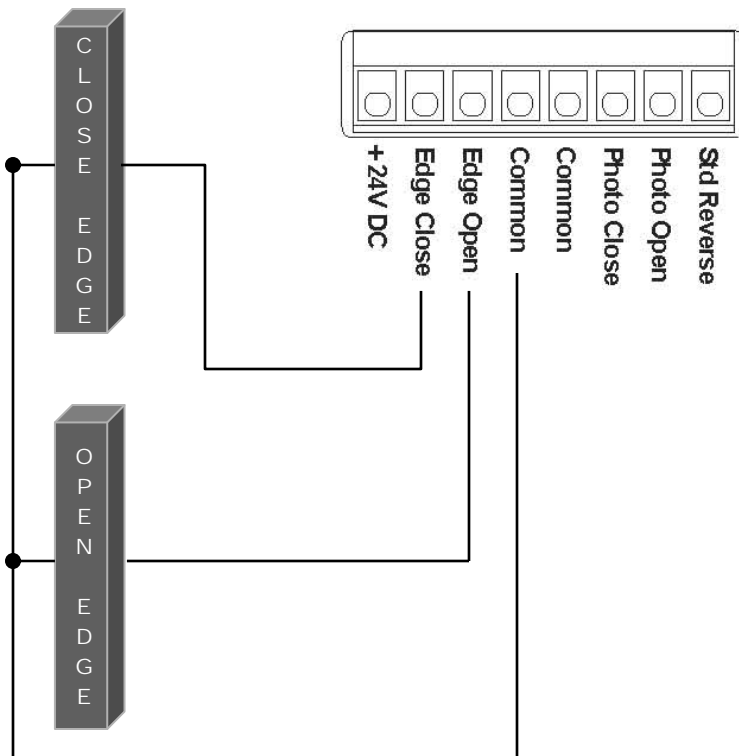
1. Input is only active during close cycle.
2. An input during the close cycle will stop and reverse the gate to the full open position.
3. If an Open Edge Input is active before reaching the full open position, the gate will stop and enter a soft shutdown.
4. If the gate reaches the full open position and the Time Delay Close is ON, the gate will time out and close.
5. If the gate reaches the full open position and the time Delay Close is OFF, the gate will remain open until a close input is received.
6. If a second Close Edge Input is received while closing, the gate will stop and enter a soft shutdown.

Open Edge Input:

1. Input is only active during open cycle.
2. An input during open cycle will stop and reverse the gate to the full closed position and enter a soft shutdown.
3. NOTE: If the gate was initially activated by a time clock with a contact closure across the Access Input, this input will be ignored until another input (Open Loop, Reverse Loop, etc.) is received.
4. If a Close Edge input is active before reaching the full closed position, the gate will stop and enter a soft shutdown.

To connect a Sensing Edge:

1. Refer to the "External Entrapment Prevention" section of this manual for guidelines and placement.
2. Connect Close Edge Sensors to EDGE CLOSE and COMMON.
3. Connect Open Edge Sensors to EDGE OPEN and COMMON.



Edge Sensor Notes:

1. One or more contact sensors shall be located where the risk of entrapment or obstruction exists, such as the leading edge, bottom edge, and posts mounted inside and outside of the vehicular swing gate and motor.
2. Hardwired contact sensors shall be located and its wiring arranged so the communication between the sensor and the gate operator is not subject to any mechanical damage.
3. Wireless contact sensors such as ones that transmit radio frequency (RF) signals to the gate operator for entrapment prevention functions shall be located where the transmission of the signals are not obstructed or impeded by building structures, landscaping or similar obstructions. All wireless contact sensors shall function under the intended end-use conditions.
4. Wireless contact sensors should be checked on a regular basis. Batteries should be replaced on a regular basis.
5. Use only UL325 compliant devices and follow all installation guidelines set forth by the manufacturer.

ACCESSORY CONNECTIONS

PHOTO SENSOR CONNECTIONS:

The gate operator has a Photo Close Terminal and an Photo Open Terminal for added control of the Photo Sensor functions. The following chart describes the functions for a Photo Close Sensor and a Photo Open Sensor:

Photo Close Input:

1. Input is only active during close cycle.
2. An input during the close cycle will stop the gate.
3. The gate will remain stopped until the input is cleared.
4. When the Photo Close is cleared, the gate will continue to close.

Photo Open Input:

1. Input is only active during open cycle.
2. An input during open cycle will stop the gate.
3. The gate will remain stopped until the input is cleared.
4. When the Photo Open is cleared, the gate will continue to open.

To connect a Photo Sensor:

1. Refer to the “External Entrapment Prevention” section of this manual for guidelines and placement.
2. Connect the Photo Close Sensor to PHOTO CLOSE and COMMON.
3. Connect the Photo Open Sensor to PHOTO OPEN and COMMON.
4. For Photo Sensors that use 24VDC power, connect power to +24VDC and COMMON.

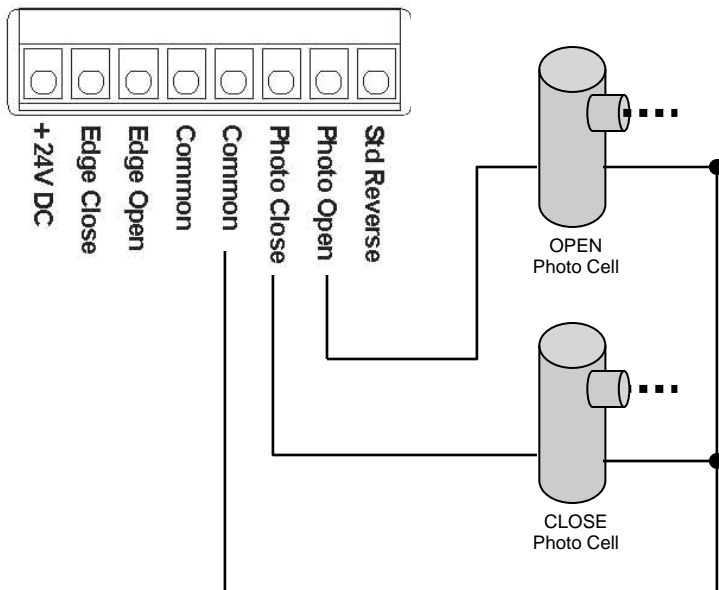


Photo Sensor Notes:

1. Use care to reduce the risk of nuisance tripping, such as when a vehicle trips the sensor while the gate is still moving.
2. One or more non-contact sensors shall be located where a risk of entrapment or obstruction exists, such as the perimeter reachable by a moving gate or barrier and arm pinch point and entrapment areas. Use caution when installing non-contact sensors since some devices only cover a select area. For example, a photo beam will not cover the full height of a gate/fence area. Refer to the diagrams in the “Important Safety Information” section of this manual.
3. Use only UL325 compliant devices and follow all installation guidelines set forth by the manufacturer.

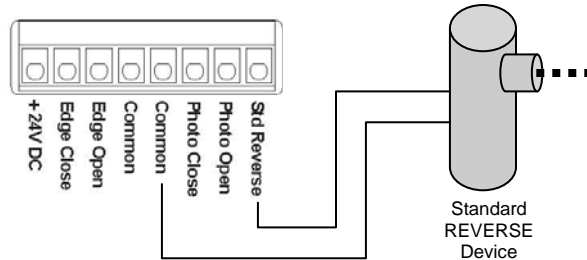
ACCESSORY CONNECTIONS

STANDARD REVERSE CONNECTIONS:

The Standard Reverse Terminal is for applications when an external device may be used as a standard reverse. For example: Photo Sensors connected to this terminal will operate the same as a Reverse Loop. This connection should not be used for Safety Reverse Devices. Use Edge and Photo inputs for proper Safety connections.

Standard Reverse Input:

1. Input is inactive when gate is closed or in the open cycle.
2. When gate is open and Time Delay Close is ON, an input will reset the Time Delay Close.
3. When gate is open and Time Delay Close is OFF, an input will prevent the gate from closing.
4. When gate is closing, an input will reverse the gate.



Connecting Standard Reverse Devices:

1. Connect to STD REVERSE and COMMON
2. For Devices that use 24VDC power, connect power to +24VDC and COMMON

OPEN, CLOSE, STOP CONNECTIONS:

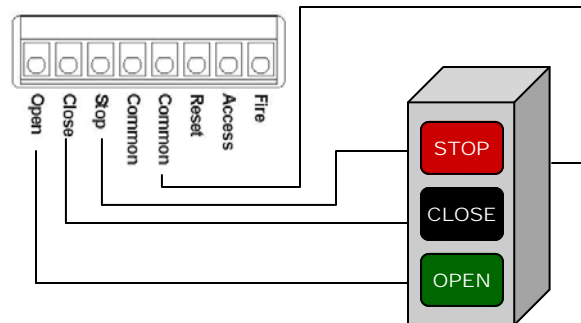
The gate operator may use an external Open, Close, Stop (3-Button) to control the gate. The controller has built-in button controls above each terminal for setup and testing.

Open, Close, Stop Input:

1. OPEN: Allows external input to OPEN gate.
2. CLOSE: Allows external input to CLOSE gate.
3. STOP: Allows external input to STOP gate.

Connecting Standard Open, Close, Stop Devices:

1. Connect Open Button to OPEN and COMMON.
2. Connect Close Button to CLOSE and COMMON.
3. Connect Stop Button to STOP and COMMON.



EXTERNAL RESET CONNECTION:

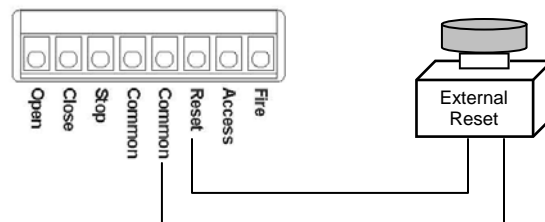
An external Reset Button may be connected to the Reset Terminal and used to reset the operator during Hard Shutdown situations. During a Hard Shutdown, the operator can only be reset through the reset input or reset button on the left side of the controller. The Reset Input can also be used during installation to reset the operator settings.

Reset Input:

1. Allows external input to reset gate operator during a Hard Shutdown.
2. Allows external input to reset operator settings during installation.

Connecting External Reset Devices:

1. Connect Reset Button to RESET and COMMON.



ACCESSORY CONNECTIONS

ACCESS CONTROL CONNECTION:

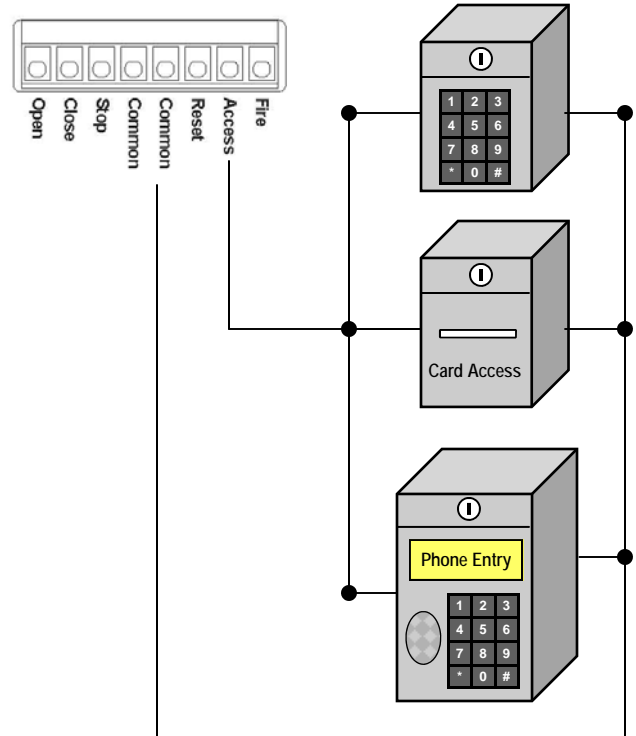
Access Control Devices such as Telephone Entry Systems, Digital Locks and Card Readers may be connected to the Access Input to control the gate operator. When an Access Device is active, the Access LED will light.

Access Input:

1. Allows external Access Control Devices to activate the gate.
2. If Close Time Delay is ON, gate will open and remain open until the access device relay is released. Then the gate will time out and close.
3. If Close Time Delay is OFF and the gate is in closed or open position, gate will travel in the opposite direction.
4. If Close Time Delay is OFF and the gate is in mid cycle, the gate will stop. The direction will not be changed until another valid input is made.

Connecting Access Devices:

1. Connect Access Control Device relays to ACCESS and COMMON. (Most devices use Normally Open & Common)
2. Only connect devices that are in line of sight to this input. If the access device is not in line of sight, connect it to the radio input.

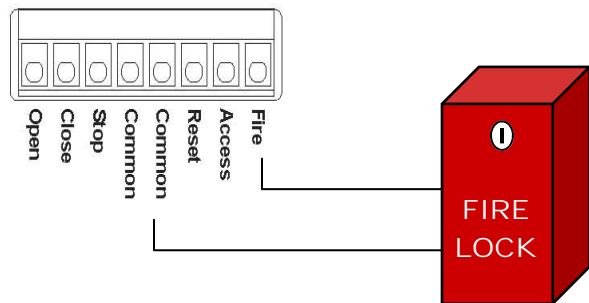


FIRE LOCK CONNECTION:

Fire Lock Controls such as Knox Locks and Fire Boxes may be connected to the Fire Input to control the gate operator. When a Fire Lock Control is active, the Fire LED will light.

Fire Input:

1. Allows Fire Lock Controls to activate the gate.
2. This input knows the position of the gate and will only open the gate when activated.
3. If Close Time Delay is ON, gate will open and remain open until the fire control relay is released. Then the gate will time out and close.
4. If Close Time Delay is OFF and the gate is in closed position, gate will open and remain open until an external input of any sort closes the gate.
5. If Close Time Delay is OFF and gate is in open position, gate will remain open until an external input is made. This prevents the Fire Input from closing the gate if in the open position.



NOTE: Consult your local Fire Department for proper building codes and Fire Lock requirements.

Connecting Access Devices:

1. Connect Fire Lock Control relays to FIRE and COMMON. (Most devices use Normally Closed & Common)

ACCESSORY CONNECTIONS

RADIO RECEIVER CONNECTIONS:

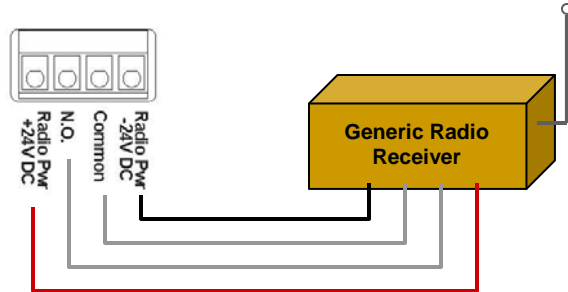
Radio Controls may be connected to the Radio Inputs to control the gate operator. When a Radio Control is active, the Radio LED will light.

Radio Input:

1. Allows Radio Controls to activate the gate and provides 24VDC.
2. NOTE: Wireless Edge Sensor Receivers should be connected to the Edge Terminals. See page 19.

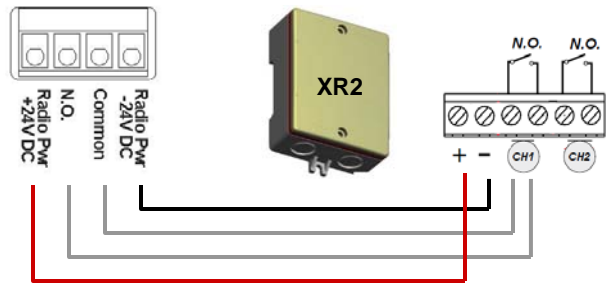
Connecting Generic Radio Receivers:

1. Connect Radio Relay to RADIO N.O. and RADIO COMMON.
2. If the Radio Receiver uses 24VDC, connect Radio Power to RADIO PWR +24VDC and RADIO PWR -24VDC.



Connecting FAAC XR2 Radio Receivers:

1. Connect XR2 N.O. relay contacts to RADIO N.O. and RADIO COMMON.
2. Connect XR2 Power + to RADIO PWR +24VDC and XR2 Power - to RADIO PWR -24VDC.



MAGLOCK & SOLENOID LOCK CONNECTIONS:

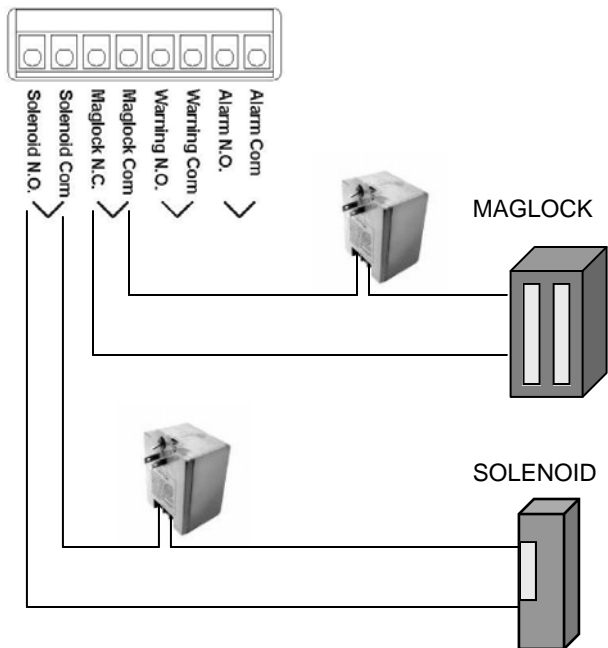
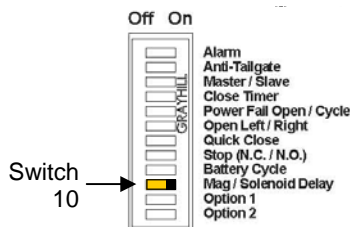
Magnetic and Solenoid Locks may be connected to the controller and utilize a 2 second delay on open to help dissipate magnetic current or solenoid power for smoother openings.

MagLock & Solenoid Inputs:

1. Allows Maglocks and Solenoid Locks to be connected to the gate operator with a 2 second delay to open.
2. Maglocks use a NC relay contact. Solenoid Locks use a NO contact. Power must be applied externally.

Connecting Solenoid & Maglocks:

1. Set Master and Slave DIP Switch 10 to ON.
2. Connect Solenoids to the external power supply and Solenoid Com and N.C. outputs following the schematic on the left.
3. Connect Maglocks to the external power supply and Maglock Com and N.C. outputs following the schematic on the left.



ACCESSORY CONNECTIONS

ALARM & WARNING LIGHT CONNECTIONS:

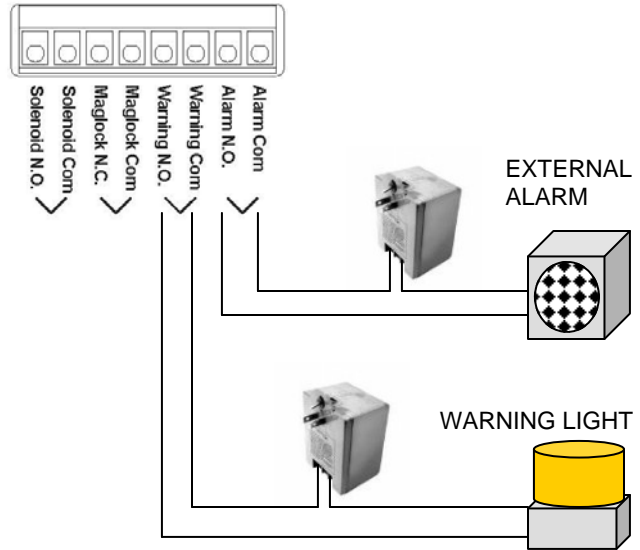
An external Alarm and/or external Warning Light may be connected to the gate operator. Devices connected to these terminals will be active during shutdown applications and while the gate is in motion both open and closed if desired.

Alarm & Warning Inputs:

1. Allows an external Alarm to be active during shutdown applications and also during gate motion if desired.
2. Allows external Warning Light to be active during gate motion.
3. These outputs are NO relay contacts. Power must be applied externally.

Connecting External Alarm & Warning Light:

1. Connect Warning Light to the external power supply and Warning Com and N.C. outputs following the schematic on the left.
2. Connect External Alarm to the external power supply and Alarm Com and N.C. outputs following the schematic on the left.
3. Set DIP Switch 1 to OFF for the Alarm to only sound in shutdown applications.
4. Set DIP Switch 1 to ON for the Alarm to beep while gate is moving and sound the alarm in shutdown situations.



SOLAR PANEL CONNECTIONS:

For applications where AC Power drops out on a regular basis, an optional Solar Panel may be installed to help keep the batteries charged.

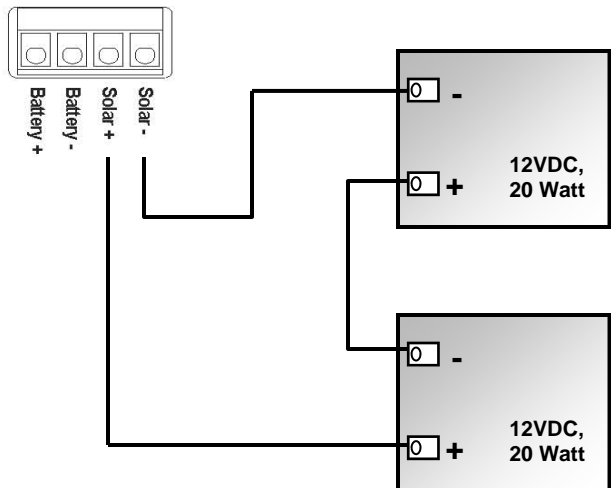
NOTE: Solar and battery backup power are for limited operations and not intended for high traffic applications. Fully charged batteries can operate a gate from 5 - 100 times depending on the application. Heavy gates, or gates with poor hardware are going to operate fewer times than light gates, with good hardware.

Solar Panel Inputs:

1. Allows an optional Solar Panel to be connected to the system for added charging.
2. Output is limited to sunlight, gate application, battery size, and Solar Panel output. To increase capacity, increase the size of each Solar Panel

Connecting Solar Panels:

1. Use one 20 Watt, 24VDC Solar Panel **OR** two 20 Watt, 12VDC Solar Panels together in series.
2. Connect the Solar Panel positive to SOLAR +
3. Connect the Solar Panel negative to SOLAR -

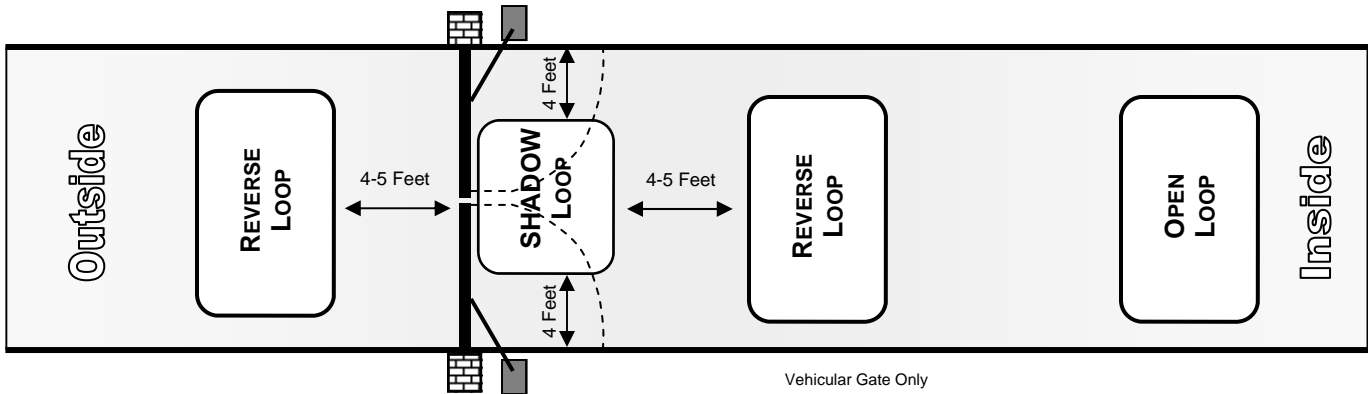


Batteries should be tested regularly for proper battery backup operation. Batteries should be replaced each year or as needed.

LOOPS & LOOP DETECTORS

BASIC LOOP LAYOUT:

The following diagram shows a typical swing gate application for two-way traffic or exit traffic. For one-way entry traffic, the open loop is not needed. (This diagram is a basic loop layout and does not show safety devices, pedestrian gate, fencing, etc. Refer to "IMPORTANT SAFETY INFORMATION" for gate details.)

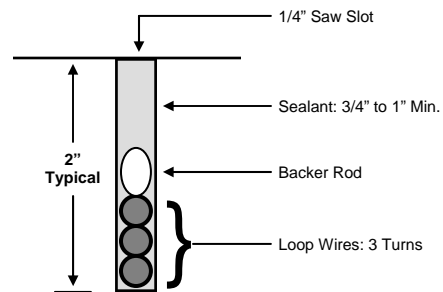
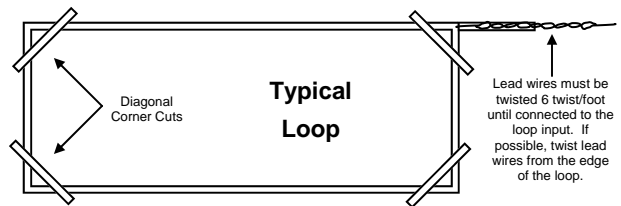


LOOP INSTALLATION GUIDELINES:

Proper loop installation is a critical aspect of any gate application. An improperly installed loop may operate intermittently causing false triggers, holding the gate open, or allowing the gate to close on traffic. The following guidelines should be followed when installing loops:

1. Determine proper location and size of each loop. Chalk out loops on the driveway:
 - Loops should be 4 - 5 feet back from the gate path. Loops any closer may cause false activation when the gate passes by.
 - Determine the size of the loop. Make the loop large enough so a vehicle must pass over the loop. The average loop is 4' x 8'. Consider the detection height.
 - Determine the detection height. The typical sensing height is 2/3 of the shortest leg. (Example: a 4' x 8' loop typically has a detection height of 2 1/2 feet.) To increase the detection height, increase the loop size.
2. Cut loop slots in the driveway:
 - Loop slot should be 1 1/2" to 2" deep.
 - Loop slot should be 1/4" wide.

1 Cut diagonal corner slots to protect the wire insulation and keep the wire from changing directions quickly.
3. Install loop wire:
 - Recommended Wire: 14 AGW to 18 AGW Stranded XLPE.
 - Starting at the gate operator, install the loop wire into the lead and loop slots. Use one continuous run of wire for the loop.
 - Install the appropriate number of turns as determined by total loop square footage. (Use attached chart)
 - Twist lead wires at least 6 turns per foot from the loop to the loop input. (Hint: Pull the lead wires tight from the corner of the loop and twist using a power drill.)
 - Route the lead wires to the edge of the driveway and into rigid conduit under ground. Seal this joint to protect the wires.
 - Press the loop wire to the bottom of the loop slot. Use Backer Rod (foam rubber) to protect and keep the loop wires from rising when the sealant is poured.
 - Seal the loop slots with a sealant. Make sure the sealant is able to sink to the bottom of the loop slot and completely encase the loop wire. The wire should not move when the sealant has set.



Loop Size (Sq. Feet)	Number Of Turns
6' to 12'	6
13' to 20'	5
21' to 60'	4
61' to 240'	3
241' & Up	2

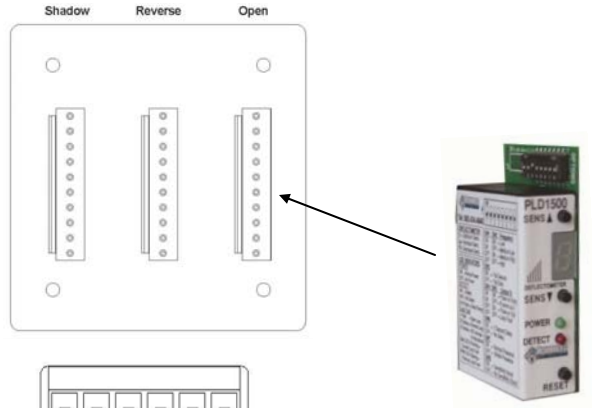
LOOPS & LOOP DETECTORS

PLUG-IN LOOP DETECTOR CONNECTIONS:

The gate operator may utilize PLD1500 Plug-in Loop Detectors to simplify installation, save space and eliminate extra wiring. There are three plug-in terminals (Shadow, Reverse, Open) located on the gate controller. Detectors plugged into a specific socket will perform that function. To connect a PLD1500:

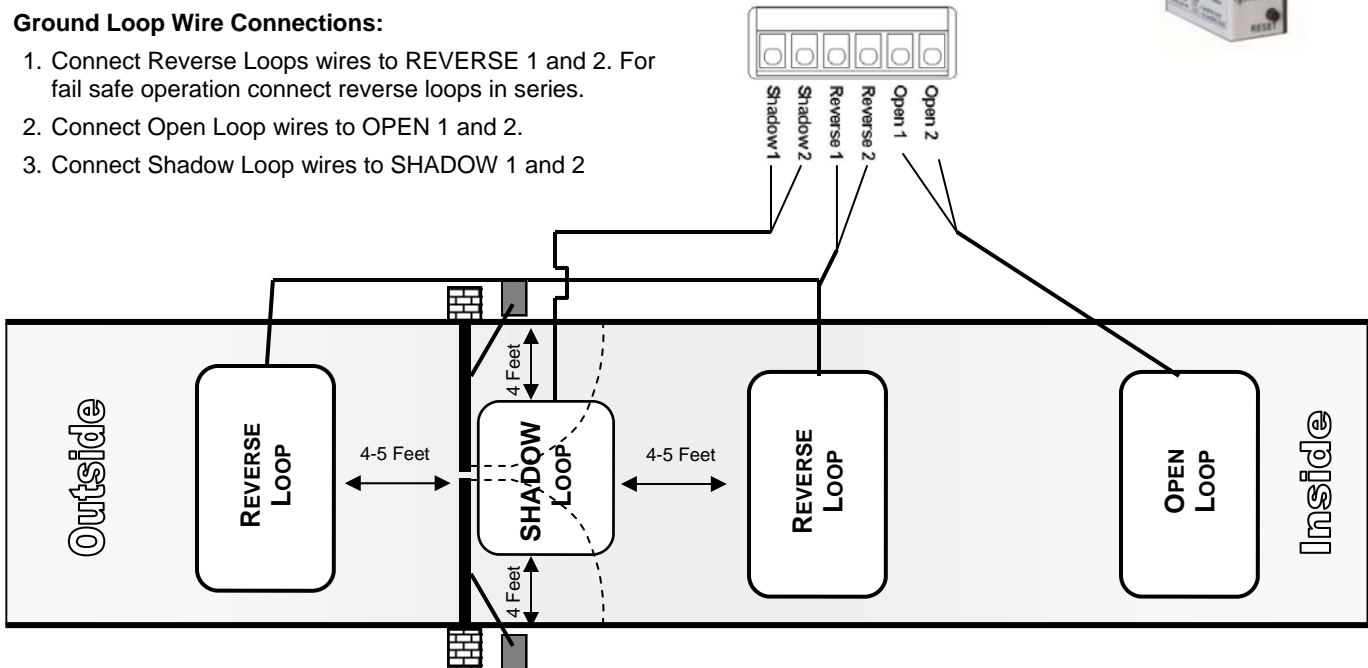
Plug-In Loop Detector Inputs:

1. Shadow Loop: Plug detector into left socket. Make sure detector is secure and snapped in.
2. Reverse Loop: Plug detector into center socket. Make sure detector is secure and snapped in.
3. Open Loop: Plug detector into right socket. Make sure detector is secure and snapped in.
4. Set different frequencies for each loop detector.
5. Follow the directions provided with the PLD1500 for more detailed settings.



Ground Loop Wire Connections:

1. Connect Reverse Loops wires to REVERSE 1 and 2. For fail safe operation connect reverse loops in series.
2. Connect Open Loop wires to OPEN 1 and 2.
3. Connect Shadow Loop wires to SHADOW 1 and 2.



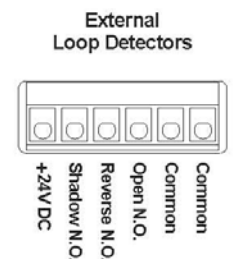
EXTERNAL LOOP DETECTOR CONNECTIONS:

The gate operator may utilize external Loop Detectors. Refer to the manufacturer's instructions for detailed wiring.

External Loop Detector Inputs:

1. 24VDC is available to power external loop detectors. Connect 24VDC detector power to +24VDC and COMMON.
2. Shadow Loop: Connect relay wires to SHADOW N.O. and COMMON.
3. Reverse Loop: Connect relay wires to REVERSE N.O. and COMMON.
4. Open Loop: Connect relay wires to OPEN N.O. and COMMON.
5. Set different frequencies for each loop detector.

6. Follow the directions provided by the external loop detector manufacturer for more detailed settings.



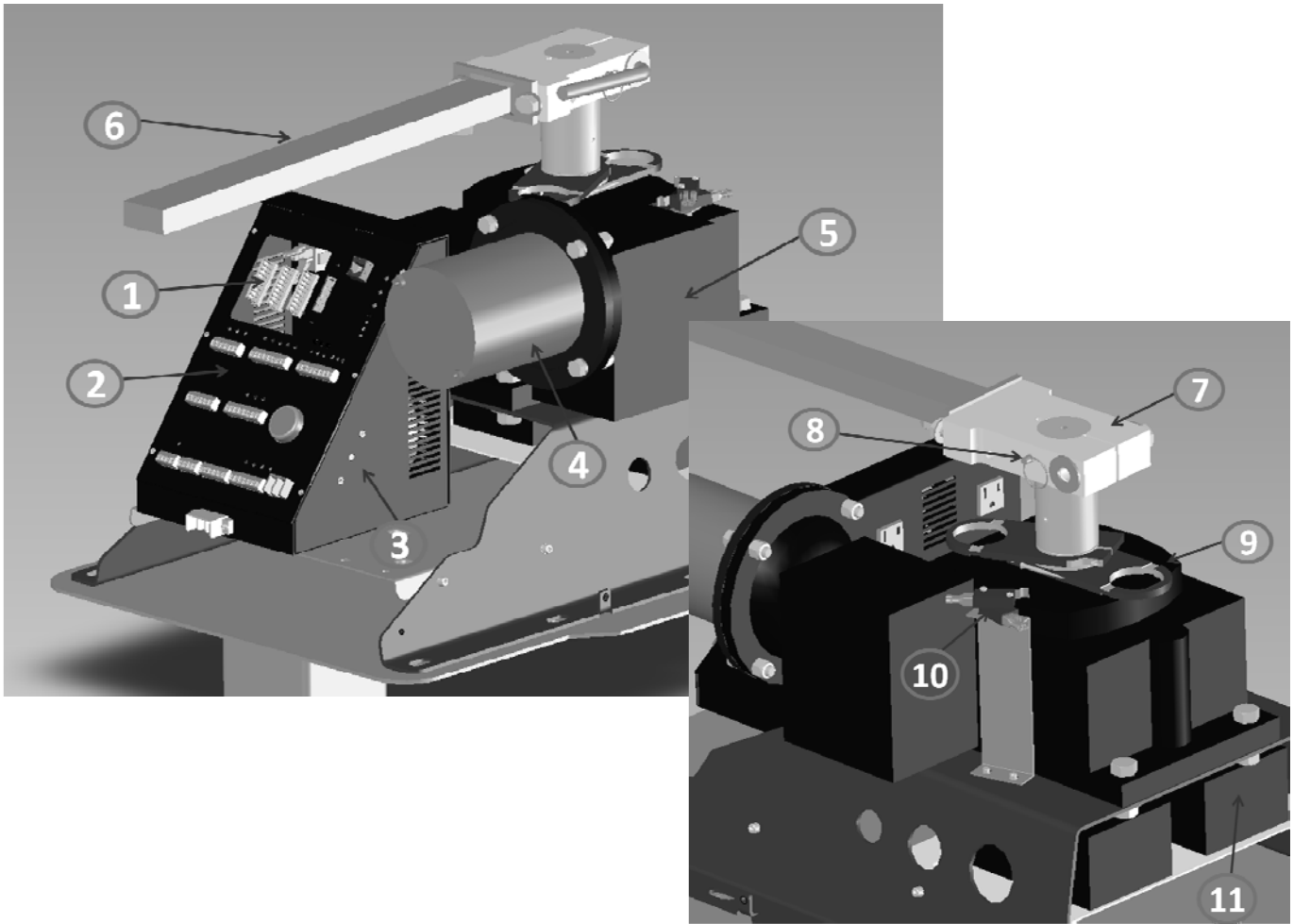
TROUBLESHOOTING TIPS

FAULT LIGHT COUNT:

The gate operator control board has a Fault Light to help determine fault shutdowns. If the operator is not functioning properly, remove the cover and check the Fault Light for the operator Fault Status. Use the following chart to determine the Fault:

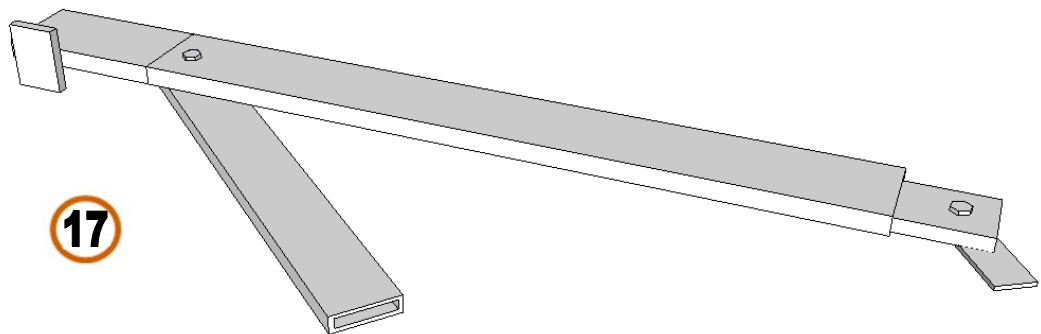
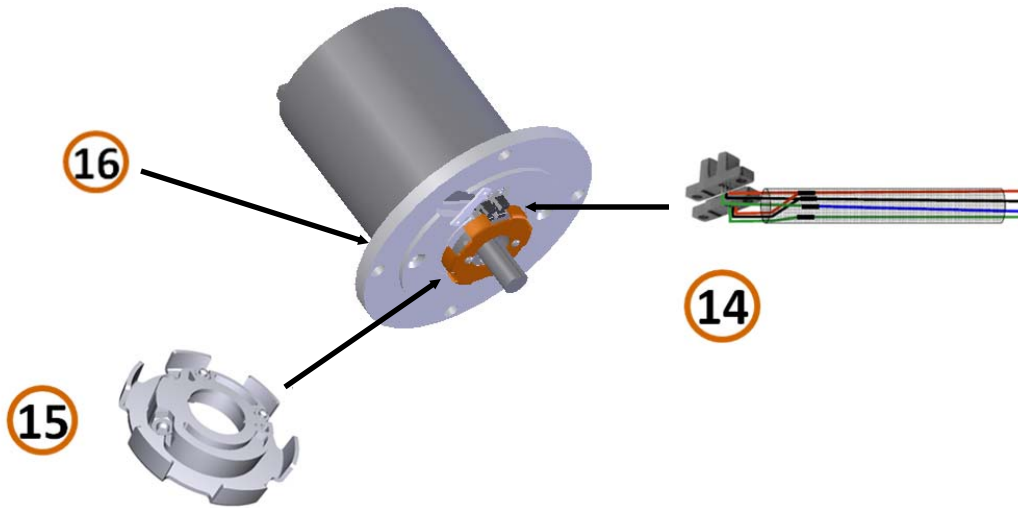
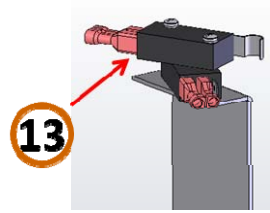
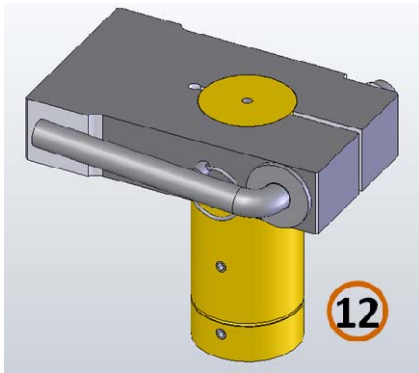
Number of Blinks	Fault Description	Cause & Action
1	Sensitivity/Current Overload: First Time	Operator detected an unexpected current overload while moving. Usually caused by the gate hitting an obstruction or tripping the sensitivity. This will put the operator in a Soft Shutdown. 1. Make sure the sensitivity settings are set correctly. Too light of a setting will cause the gate to stop and fault. 2. Make sure there are no external obstructions that are causing the gate to stop and shutdown.
2	Sensitivity/Current Overload: Second Time	Operator detected an unexpected current overload while moving a second time. Usually caused by the gate hitting an obstruction or tripping the sensitivity. This will put the operator in a Hard Shutdown. 1. Make sure the sensitivity settings are set correctly. Too light of a setting will cause the gate to stop and fault. 2. Make sure there are no external obstructions that are causing the gate to stop and shutdown.
3	Run Time Fault	Operator has run longer than normal. Usually caused by a bad limit or wiring fault . 1. Check the limit for normal operation. 2. Make sure the limit wire connections are tight.
4	Sensor Fault/Failure	Motor Sensors have failed. Usually caused by a bad sensor or loose sensor wire. 1. Make sure the sensor wires are tight and well connected to the blue connector. While the operator is stopped, wiggle the Limit/Sensor connector. If the limit or sensor wires blink on and off, there is a loose connection. 2. Start the operator, watch Sensor 1 and Sensor 2 at startup. They should both blink before turning solid. If only one blinks, then the non-blinking sensor is not being seen. 3. Remove the motor from the gearbox. Both sensor lights should be on. Pass a flat screw driver between Sensor 1 and Sensor 2 on the motor plate. The Sensor LED on the control board should turn off and on as the screw driver passed through it. 4. Make sure the sensor cup on the gearbox shaft is tight. A loose sensor cup will slip and cause the sensors to miss counts.
5	PCB Overheat Fault	Operator PCB has become too hot and caused a fault. 1. Make sure the control board heat sink is secured to the side of the controller box to help dissipate excess heat. 2. Determine if the operator has run excessively to cause an overheating problem. 3. Possibly a defective heat sensor on the control board. Have board repaired.
6	Master Slave Fault	Master Slave communication has failed. Usually caused by a loose Master Slave wire or connector. A very strong lightning strike can sometimes cause damage to the master slave circuit on the control board. 1. Make sure the master slave wires are connected correctly and tight. 2. Unplug the master slave wire and set both operators as Masters. Test each operator independently to make sure there are no other problems or faults. After determining each operator runs by itself, reset the master slave settings and connect the master slave wire. If the problem continues, recheck wire and wire connections. 3. Run a new CAT5 wire on top of the driveway to test the master slave communication. This will determine if the underground wire is good or bad. 4. Possible damage to the control board master slave components. Have boards repaired.

SPARE PARTS



Num	FAAC p/n	Description
1	GC-3101	Controller PCB with heat sink
2	GC-3100	Controller PCB, heat sink and faceplate assembly
3	GC-3000	Controller Assembly (No PCB, faceplate)
4	MOTOR-0500-24	Motor - 500W, 24VDC
5	SW-0020	Gearbox 900:1
6	SW-0004	Weld arm connector with 12" bar
7	SW-0003	Swing arm connector
8	SW-0011	Clutch alignment pin
9	SW-0010	Swing limit cam
10	SW1000+	Limit assembly kit
11	3540	Battery (single)

SPARE PARTS



Num	FAAC p/n	Description
12	SW0003+	Clutch assembly kit
13	SWITCH-0100	Limit switch
14	WIRE1101SK	Sensors wire assembly with screws
15	AAA0450	Sensor cup assembly
16	AAA-0402	Motor Adapter Plate
17	SW-0200	Swing arm assembly

LIMITED WARRANTY

To the original purchaser only:

FAAC International, Inc., warrants, for sixty (60) months from the date of invoice, this gate operator system manufactured and distributed by FAAC International, Inc. to be free from defects in material and workmanship under normal use and service for which it was intended provided it has been properly installed and operated.

FAAC International, Inc.'s obligations under this warranty shall be limited to the repair or exchange of any part of parts manufactured by FAAC International, Inc. and distributed by FAAC International, Inc. Defective products must be returned to FAAC International, Inc., freight prepaid by purchaser, within the warranty period. Items returned will be repaired or replaced, at FAAC International, Inc.'s option, upon an examination of the product by FAAC International, Inc., which discloses, to the satisfaction of FAAC International, Inc., that the item is defective. FAAC International, Inc. will return the warranted item freight prepaid. The products manufactured by FAAC International, Inc. and distributed by FAAC International, Inc. are not warranted to meet the specific requirements, if any, of safety codes of any particular state, municipality, or other jurisdiction, and FAAC International, Inc. doesn't assume any risk or liability whatsoever resulting from the use thereof, whether used singly or in combination with other machines or apparatus.

Any products and parts not manufactured and distributed by FAAC International, Inc., will carry only the warranty, if any, of the manufacturer. This warranty shall not apply to any products or parts thereof which have been repaired or altered, without FAAC International, Inc.'s written consent, outside of FAAC International, Inc.'s workshop, or altered in any way so as, in the judgment of FAAC International, Inc., to affect adversely the stability or reliability of the product(s) or has been subject to misuse, negligence, or accident, or has not been operated in accordance with FAAC International, Inc.'s instructions. or has been operated under conditions more severe than, or otherwise exceeding, those set forth in the specifications for such product(s). FAAC International, Inc. shall not be liable for any loss or damage whatsoever resulting, directly or indirectly, from the use or loss of use of the product(s). Without limiting the foregoing, this exclusion from liability embraces a purchaser's expenses for downtime or for making up downtime, damages for which the purchaser may be liable to other persons, damages to property, and injury to or death of any persons.

FAAC International, Inc., does not assume nor authorizes any person to assume for them any other liability in connection with the sale or use of the products of FAAC International, Inc. The warranty herein above set forth shall not be deemed to cover maintenance parts, including, but not limited to, hydraulic oil, filters, or the like. No agreement to replace or repair shall constitute an admission by FAAC International, Inc., of any legal responsibility to effect such replacement, to make such repair, or otherwise. This limited warranty extends only to wholesale customers who buy directly through FAAC International, Inc.'s normal distribution channels. FAAC International, Inc., does not warrant its products to end consumers.

Consumers must inquire from their selling dealer as to the nature and extent of that dealer's warranty, if any. This warranty is expressly in lieu of all other warranties expressed or implied including the warranties of merchantability and fitness for use. This warranty shall not apply to products or any part thereof which have been subject to accident, negligence, alteration, abuse, or misuse or if damage was due to improper installation or use of improper power source, or if damage was caused by fire, flood, lightning, electrical power surge, explosion, wind storm, hail, aircraft or vehicles, vandalism, riot or civil commotion, or acts of God.